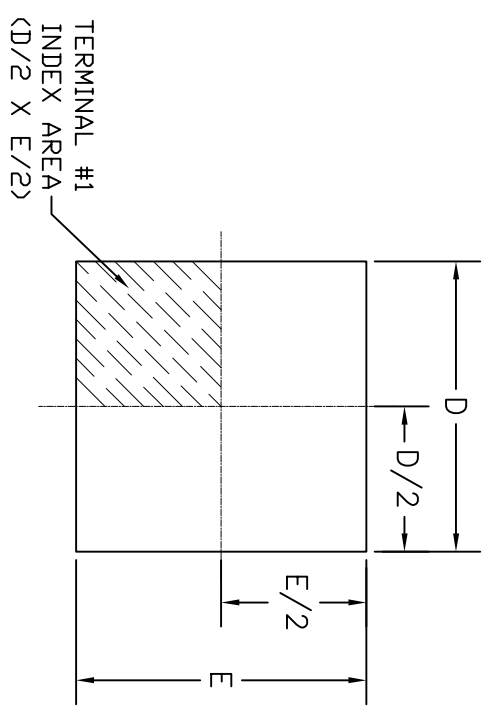
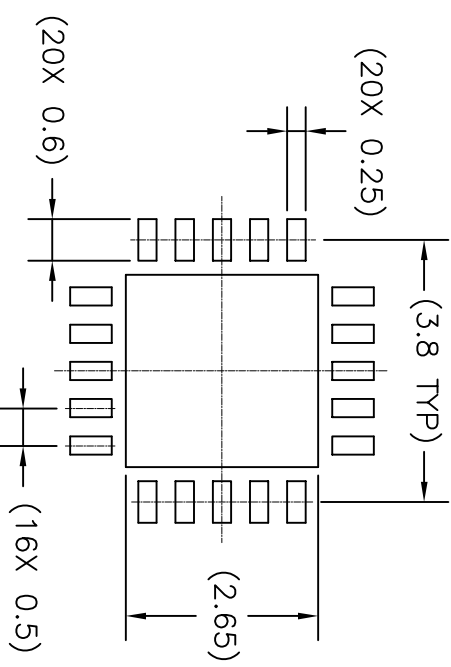
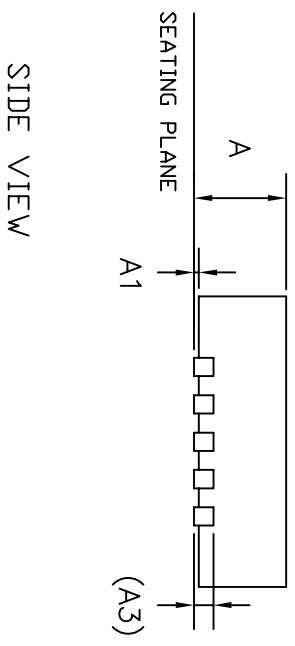
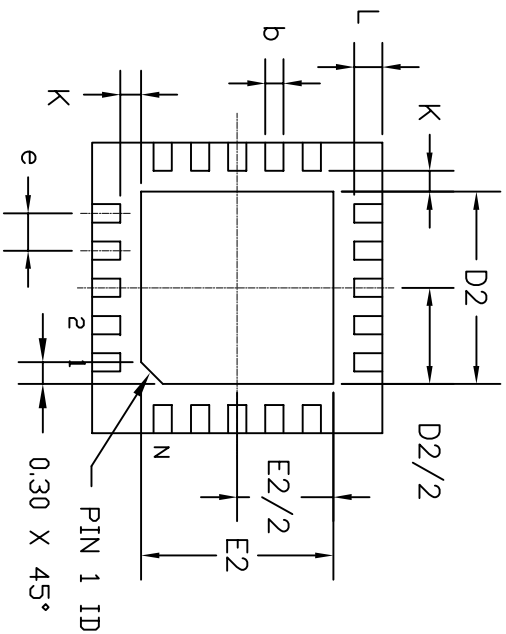


TOP VIEW



BOTTOM VIEW



LAND PATTERN RECOMMENDATION

REVISION HISTORY			
REV.	DISCRPTION	DATE	APP'D
A	DRAWING ORIGINATION	04/27/07	JL
B	CHANGE DRAWING LOGO AND COMPANY NAME	11/21/07	JL

20LD 4x4 TOFN JEDEC MO-220 Variation WGGD-5							
SYMBOLS	DIMENSIONS IN MM (Control Unit)			DIMENSIONS IN INCH (Reference Unit)			
	MIN	NDM	MAX	MIN	NDM	MAX	
A	0.70	0.75	0.80	0.028	0.030	0.031	
A1	0.00	0.02	0.05	0.000	0.001	0.002	
A3	0.20 REF			0.008 REF			
b	0.18	0.25	0.30	0.007	0.010	0.012	
D	4.00 BSC			0.157 BSC			
D2	2.50	2.65	2.80	0.098	0.104	0.110	
E	4.00 BSC			0.157 BSC			
E2	2.50	2.65	2.80	0.098	0.104	0.110	
e	0.50 BSC			0.020 BSC			
L	0.35	0.40	0.45	0.014	0.016	0.018	
K	0.20	—		0.008	—		
N	20			20			
ND	5			5			
NE	5			5			

		<b>EXAR CORPORATION</b>	
Packaging Approval:		Drawing No: 20-PIN 4x4 TOFN	
By: JL	Date: 11/21/07	Revision: B	Sheet: 1 OF 1