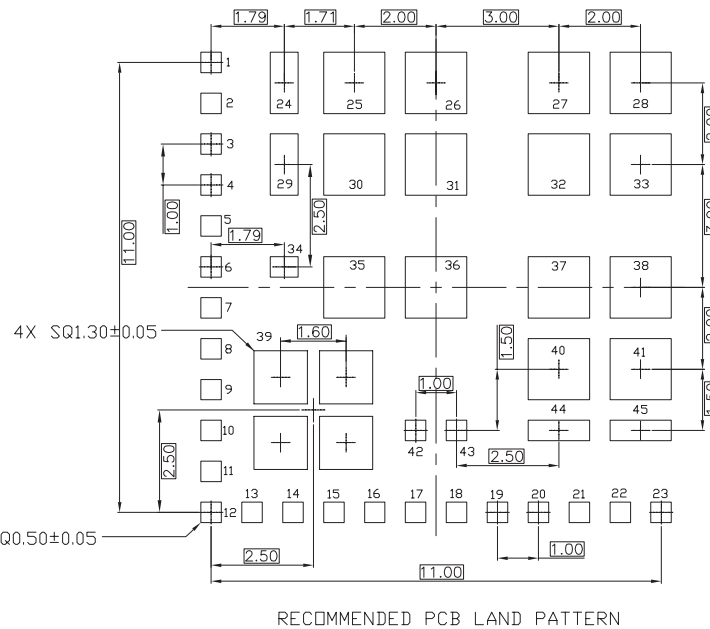
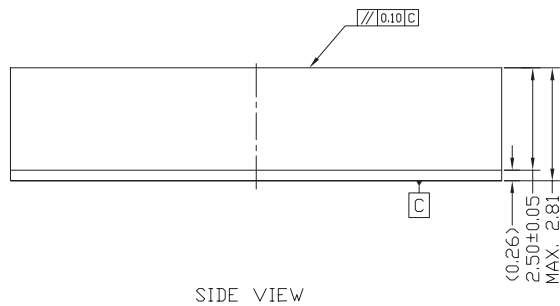
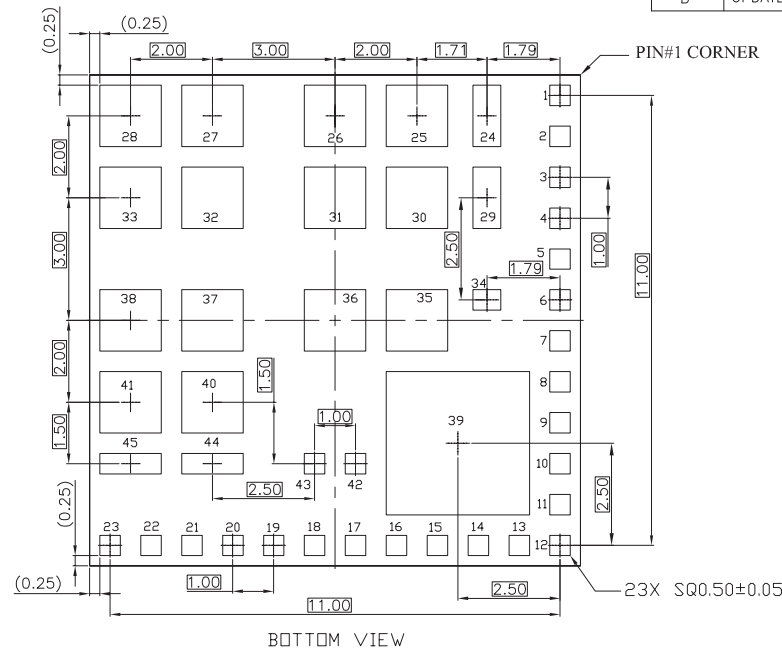
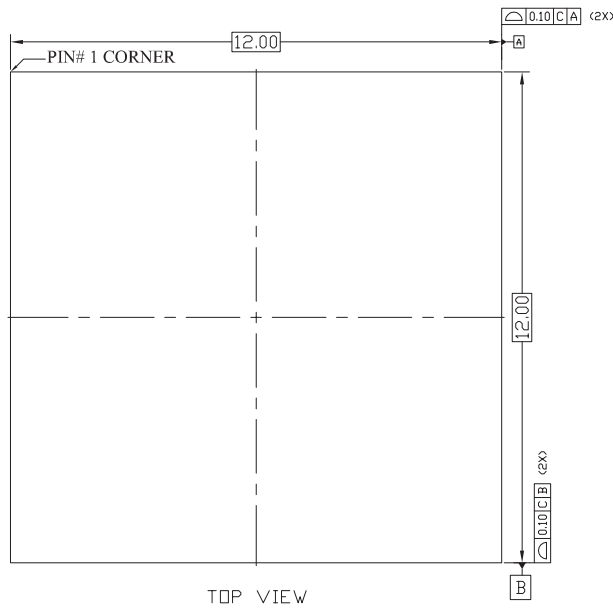


FOR REFERENCE ONLY



REVISION HISTORY			
REV.	DISCRPTION	DATE	APP'D
A	DRAWING ORINATION	12/06/13	PC
B	UPDATE RECOMMENDED PCB LAND PATTERN	05/30/14	PC

PAD SIZE & POSITION (LGA & LAND PATTERN)
X & Y ORIGN IS "0,0" FROM TOP VIEW

Pin #	PAD SIZE	X Coordinate	Y Coordinate
1	500x500	-5500.00	5500.00
2	500x500	-5500.00	4500.00
3	500x500	-5500.00	3500.00
4	500x500	-5500.00	2500.00
5	500x500	-5500.00	1500.00
6	500x500	-5500.00	500.00
7	500x500	-5500.00	-500.00
8	500x500	-5500.00	-1500.00
9	500x500	-5500.00	-2500.00
10	500x500	-5500.00	-3500.00
11	500x500	-5500.00	-4500.00
12	500x500	-5500.00	-5500.00
13	500x500	-4500.00	-5500.00
14	500x500	-3500.00	-5500.00
15	500x500	-2500.00	-5500.00
16	500x500	-1500.00	-5500.00
17	500x500	-600.00	-5500.00
18	500x500	500.00	-5500.00
19	500x500	1500.00	-5500.00
20	500x500	2500.00	-5500.00
21	500x500	3500.00	-5500.00
22	500x500	4500.00	-5500.00
23	500x500	5500.00	-5500.00
24	680x1500	-3710.00	5000.00
25	1500x1500	-2000.00	5000.00
26	1500x1500	0.00	5000.00
27	1500x1500	3000.00	5000.00
28	1500x1500	5000.00	5000.00
29	680x1500	-3710.00	3000.00
30	1500x1500	-2000.00	3000.00
31	1500x1500	0.00	3000.00
32	1500x1500	3000.00	3000.00
33	1500x1500	5000.00	3000.00
34	680x500	-3710.00	500.00
35	1500x1500	-2000.00	0.00
36	1500x1500	0.00	0.00
37	1500x1500	3000.00	0.00
38	1500x1500	5000.00	0.00
39	3500x3500	-3000.00	-3000.00
40	1500x1500	3000.00	-2000.00
41	1500x1500	5000.00	-2000.00
42	500x500	-600.00	-3500.00
43	500x500	500.00	-3500.00
44	1500x500	3000.00	-3500.00
45	1500x500	5000.00	-3500.00

- NOTES:
 1. THE DIMENSIONS IN PARENTHESIS ARE REFERENCE
 2. ALL DIMENSIONS IN MILLIMETERS(MM)
 3. THE POSITION TOLERANCE OF ALL THE LGA PINS IS AS FOLLOWS:

$\oplus 0.1(M)C|A|B$



EXAR CORPORATION

45-PIN LGA 12X12X2.81mm PACKAGE OUTLINE

Packaging Approval:

Drawing No: POD-0000035

By: PC

Date: 05/30/13

Revision: B

Sheet: 1 OF 1