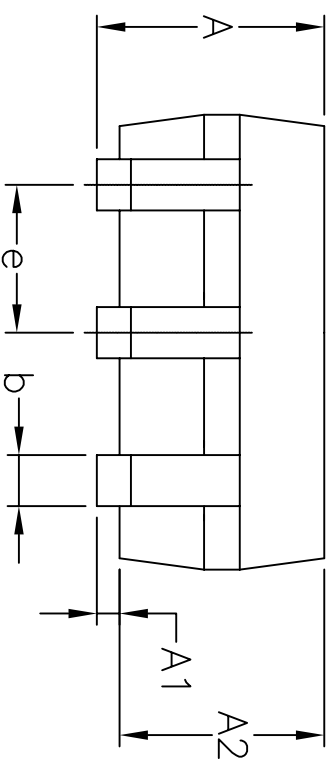
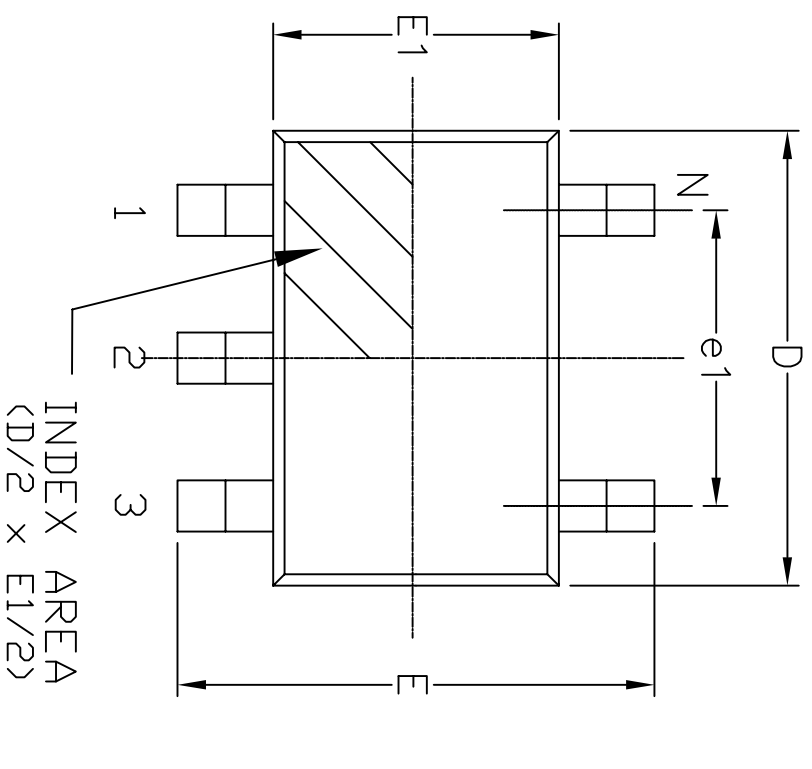
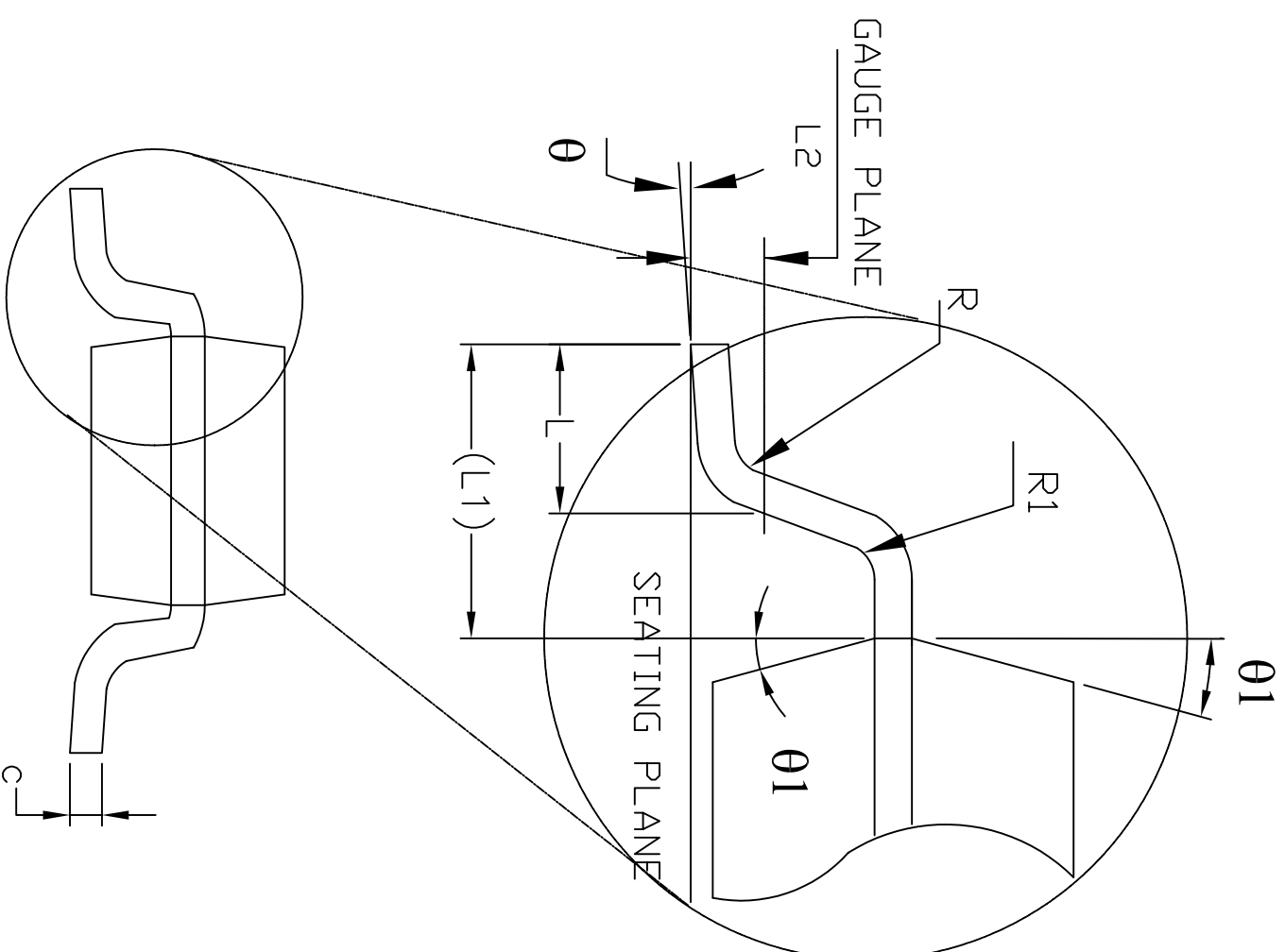


REVISION HISTORY			
REV.	DESCRIPTION	DATE	APP'D
A	DRAWING ORIGINATION	10/03/05	JL
B	DRAWING FORMAT MODIFICATION	07/24/06	JL
C	CHANGE DRAWING LOGO AND COMPANY NAME	11/28/07	JL

Top View



Side View



Front View

5 Pin SC-70 JEDEC MO-203 Variation AA									
SYMBOLS	DIMENSIONS IN MM (Control Unit)				DIMENSIONS IN INCH (Reference Unit)				
	MIN	NOM	MAX		MIN	NOM	MAX		MAX
A	—	—	1.10	—	—	—	—	—	0.043
A1	0.00	—	0.10	0.000	—	—	—	—	0.004
A2	0.70	0.90	1.00	0.028	0.036	0.039			
b	0.15	—	0.30	0.006	—	—	—	—	0.012
c	0.08	—	0.22	0.003	—	—	—	—	0.009
D	2.00 BSC				0.079 BSC				
E	2.10 BSC				0.083 BSC				
E1	1.25 BSC				0.049 BSC				
e	0.65 BSC				0.026 BSC				
e1	1.30 BSC				0.051 BSC				
L	0.26	0.36	0.46	0.011	0.014	0.018			
L1	0.42 REF				0.017 REF				
L2	0.15 BSC				0.006 BSC				
R	0.10	—	—	0.004	—	—	—	—	—
R1	0.10	—	0.25	0.004	—	—	—	—	0.010
θ	0°	4°	8°	0°	4°	8°			
θ_1	4°	—	12°	4°	—	—	—	—	12°
N	5				5				

		EXAR CORPORATION	
Packaging Approval:		Drawing No: 5-PIN SC-70	
By: JL	Date: 11/28/07	Revision: C	Sheet: 1 OF 1