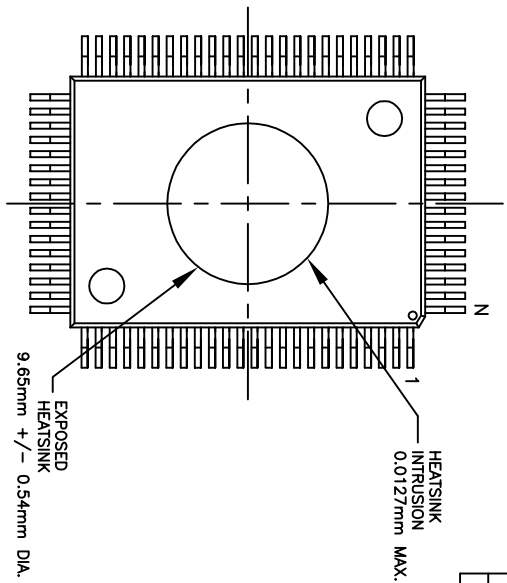
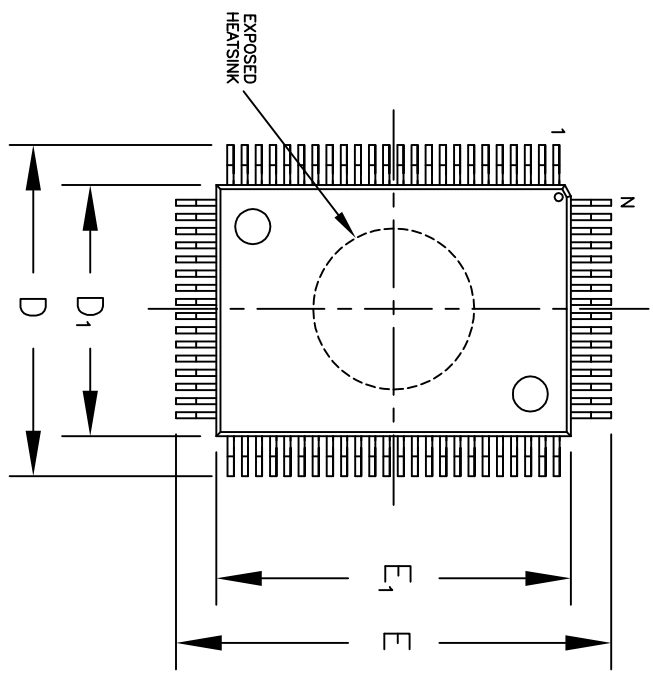
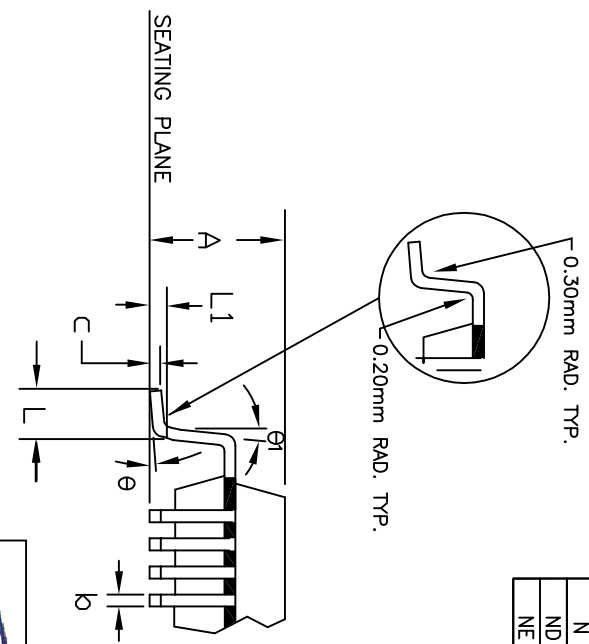
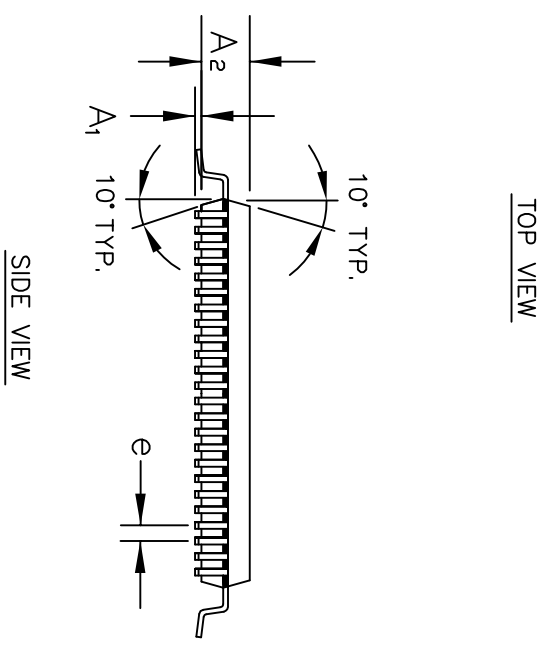



REVISION HISTORY			
REV.	DESCRIPTION	DATE	APP'D
A	DRAWING ORIGINATION	11/06/11	PC



120 Pin 14X20 EDQUAD LQFP (THERMALLY ENHANCED)						
SYMBOLS	DIMENSIONS IN MM (Control Unit)			DIMENSIONS IN INCH (Reference Unit)		
	MIN	NOM	MAX	MIN	NOM	MAX
A	—	—	1.60	—	—	0.063
A1	0.05	—	0.15	0.002	—	0.006
A2	1.35	1.40	1.45	0.053	0.055	0.057
b	0.17	0.22	0.27	0.007	0.009	0.010
c	0.09	—	0.20	0.004	—	0.008
D	—	16.00	BSC	—	0.630	BSC
D1	—	14.00	BSC	—	0.551	BSC
E	—	22.00	BSC	—	0.866	BSC
E1	—	20.00	BSC	—	0.787	BSC
e	—	0.50	BSC	—	0.020	BSC
L	0.50	0.60	0.75	0.020	0.024	0.030
L1	—	0.25	BSC	—	0.010	BSC
θ	0°	3.5°	7°	0°	3.5°	7°
θ1	0°	—	—	0°	—	—
N	—	120	—	—	120	—
ND	—	24	—	—	24	—
NE	—	36	—	—	36	—



		EXAR CORPORATION	
Packaging Approvals:		120 PIN 14X20 EDQUAD LQFP PACKAGE OUTLINE	
By: PC	Date: 10/06/11	Revision: A	Sheet: 1 OF 1