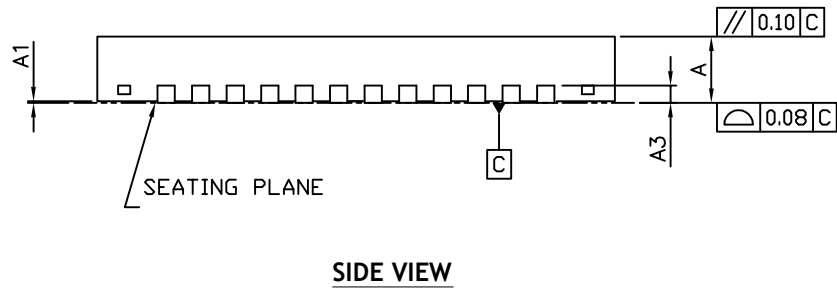
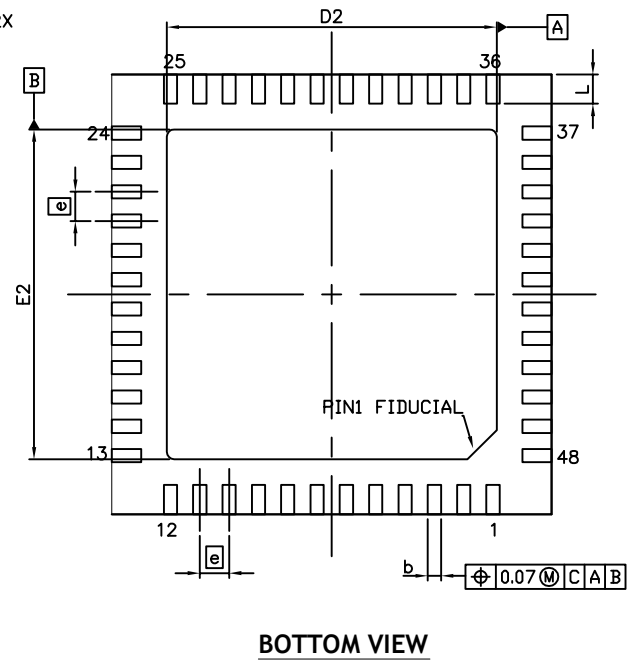
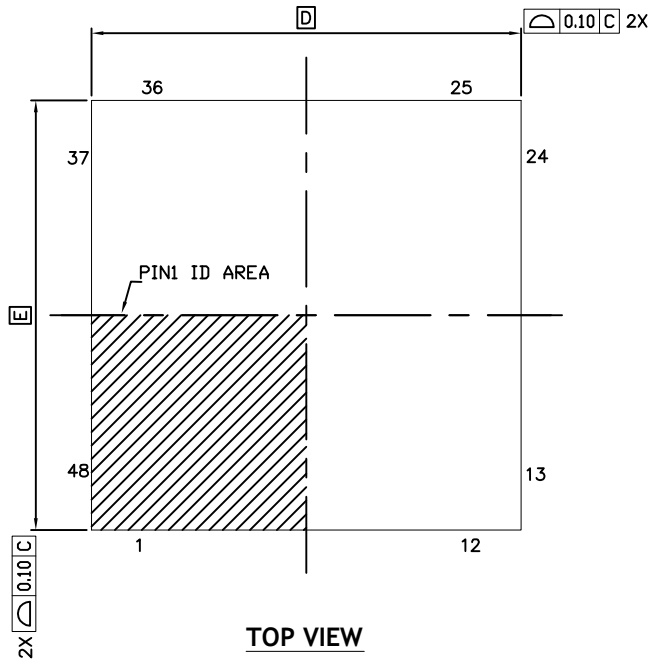


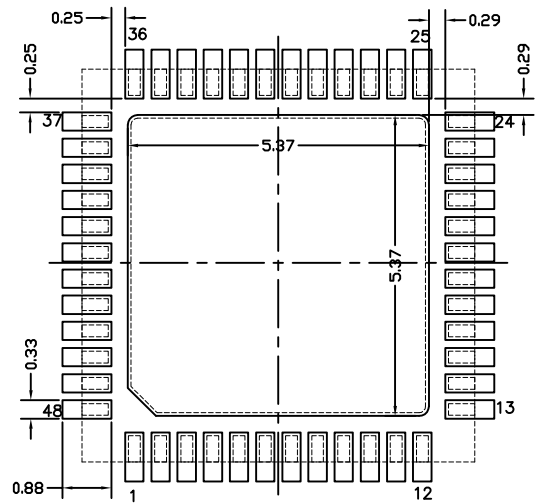
Revision History

| REV. | Description | Date | APP'D |
|------|--------------------|------------|----------------|
| B | 48LD 6x6x0.8mm QFN | Jan/6/2016 | ECN 1705-04 jh |



| SYMBOL | DIMENSION (MM) | | |
|--------|----------------|------|------|
| | MIN. | NOM. | MAX. |
| A | 0.70 | 0.75 | 0.80 |
| A1 | 0 | 0.02 | 0.05 |
| A3 | 0.203 REF | | |
| b | 0.15 | 0.20 | 0.25 |
| D | 5.90 | 6.00 | 6.10 |
| D2 | 4.40 | 4.50 | 4.60 |
| E | 5.90 | 6.00 | 6.10 |
| E2 | 4.40 | 4.50 | 4.60 |
| e | 0.40 BSC | | |
| L | 0.30 | 0.40 | 0.50 |

TERMINAL DETAILS



1. All dimensions are in Millimeters
2. Dimensions and tolerance per Jeduc MO-220



EXAR CORPORATION

48QFN 6x6x0.8mm Package Outline Drawing

Packaging Approval:

Drawing No.: POD-00000101

By: YG Eom

Date: Jan.06.2016

Revision: B

Sheet 1 OF 1