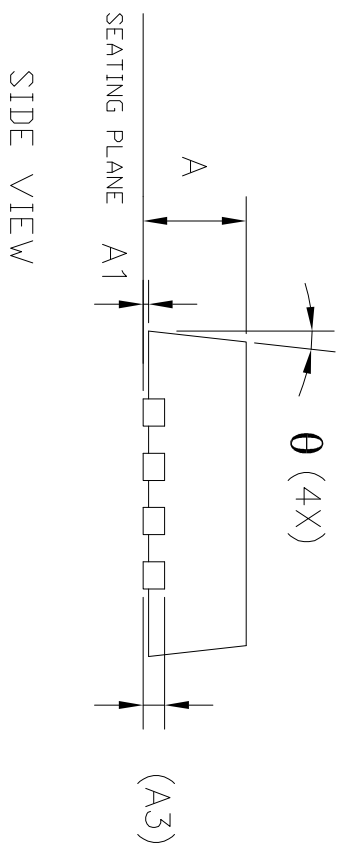
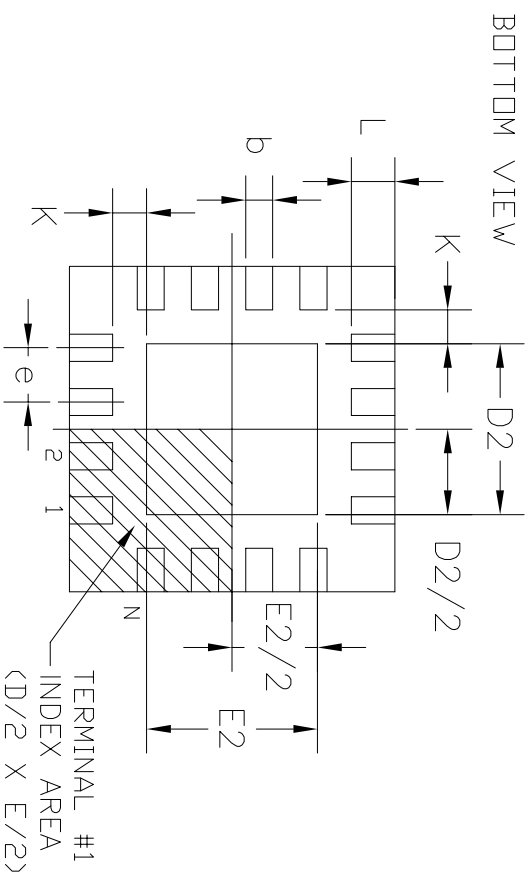
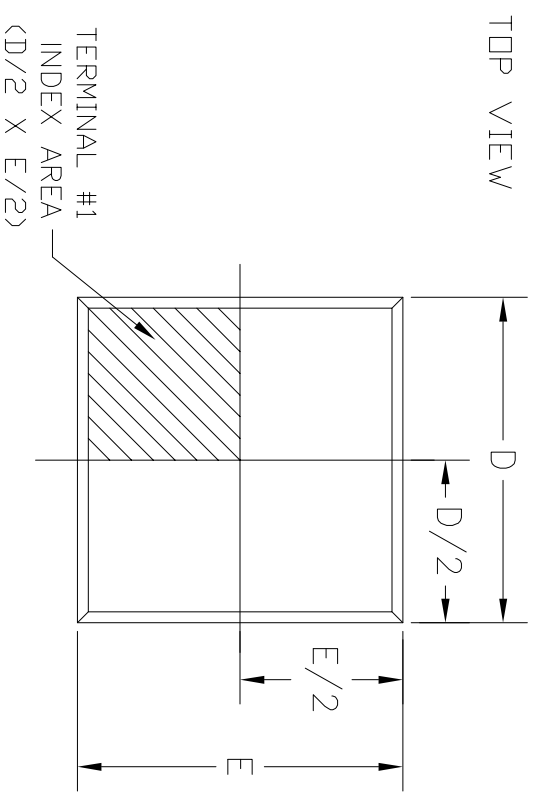


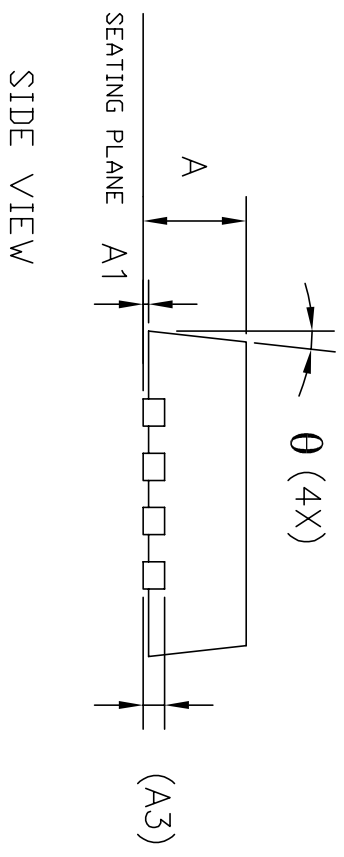
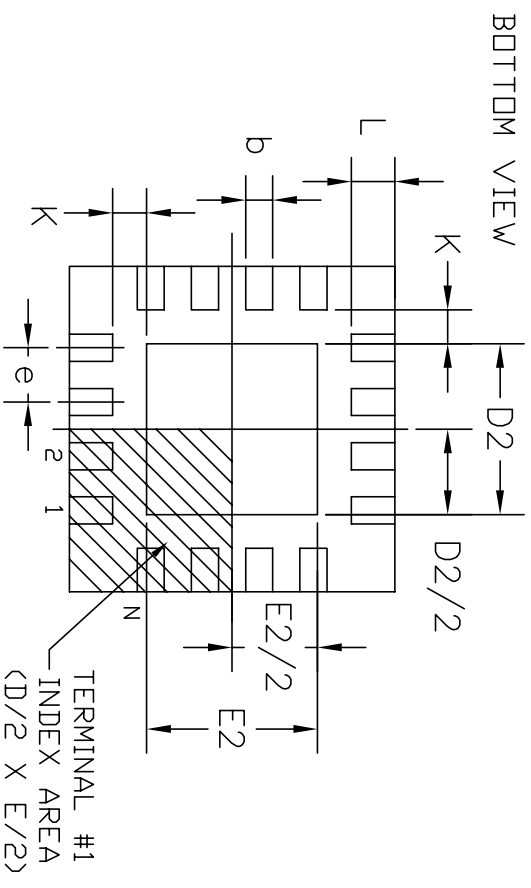
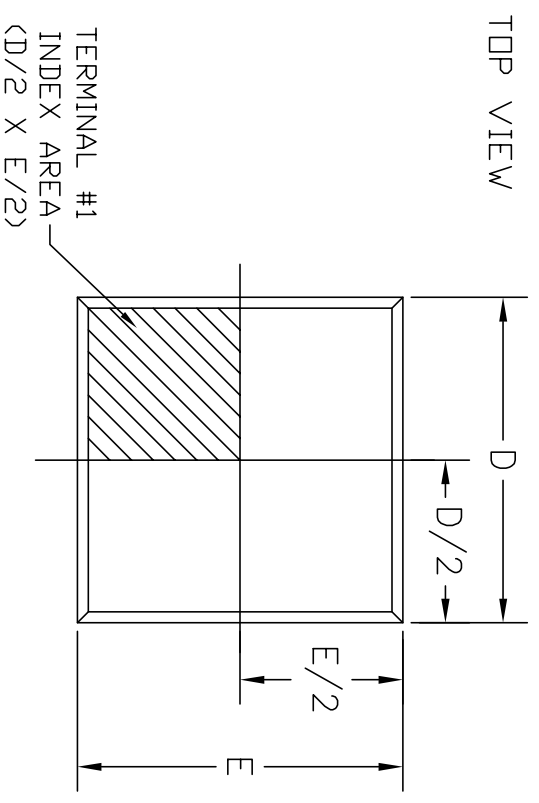
REVISION HISTORY			
REV.	DISCRIPTION	DATE	APP'D
A	DRAWING ORIGINATOR	05/13/09	PC
B	ADD "OPTION 1" TO DRAWING TITLE	09/17/09	PC




32LD 5x5 TQFN (OPTION 1) JEDEC MO-220 Variation WHHD						
SYMBOLS	DIMENSIONS IN MM (Control Unit)	DIMENSIONS IN INCH (Reference Unit)				
	MIN	NOM	MAX	MIN	NOM	MAX
A	0.70	0.75	0.80	0.028	0.030	0.032
A1	0.00	0.02	0.05	0.000	0.001	0.002
A3	0.20 REF		0.008 REF			
b	0.18	0.25	0.30	0.007	0.010	0.012
D	5.00 BSC		0.197 BSC			
D2	3.00	3.10	3.20	0.118	0.122	0.126
E	5.00 BSC		0.197 BSC			
E2	3.00	3.10	3.20	0.118	0.122	0.126
e	0.50 BSC		0.020 BSC			
L	0.35	0.40	0.45	0.014	0.016	0.018
K	0.20	—		0.008	—	
$\theta$	0°	14°		0°	14°	
N	32		32			
ND	8		8			
NE	8		8			

		<b>EXAR CORPORATION</b>	
		32 PIN 5x5 TQFN PACKAGE OUTLINE (OPTION 1)	
Packaging Approval:		Drawing No: 32-PIN 5x5 QFN	
By: PC	Date: 09/17/09	Revision: B	Sheet: 1 OF 1

REVISION HISTORY			
REV.	DESCRIPTION	DATE	APP'D
A	DRAWING ORIGINATION	09/17/09	PC



32LD 5x5 TQFN (OPTION 2) JEDEC MO-220 Variation WHHD									
SYMBOLS	DIMENSIONS IN MM (Control Unit)			DIMENSIONS IN INCH (Reference Unit)			MIN	NOM	MAX
	MIN	NOM	MAX	MIN	NOM	MAX			
A	0.70	0.75	0.80	0.028	0.030	0.032			
A1	0.00	0.02	0.05	0.000	0.001	0.002			
A3	0.20 REF			0.008 REF					
b	0.20	0.25	0.30	0.008	0.010	0.012			
D	5.00 BSC			0.197 BSC					
D2	3.65	3.70	3.75	0.143	0.145	0.148			
E	5.00 BSC			0.197 BSC					
E2	3.65	3.70	3.75	0.143	0.145	0.148			
e	0.50 BSC			0.020 BSC					
L	0.35	0.40	0.45	0.014	0.016	0.018			
K	0.20	—	—	0.008	—	—			
$\theta$	0°	—	14°	0°	—	14°			
N	32			32					
ND	8			8					
NE	8			8					

		Packaging Approval:	
		By: PC	Date: 09/17/09
<b>EXAR CORPORATION</b>		32 PIN 5x5 TQFN PACKAGE OUTLINE (OPTION 2)	
		Drawing No: 32-PIN 5x5 QFN	Revision: A
Sheet: 1 OF 1		Sheet: 1 OF 1	