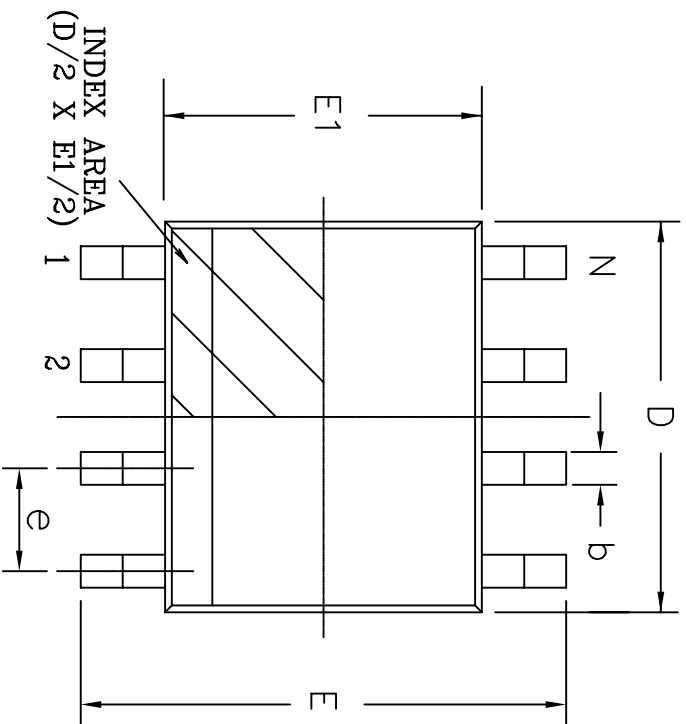
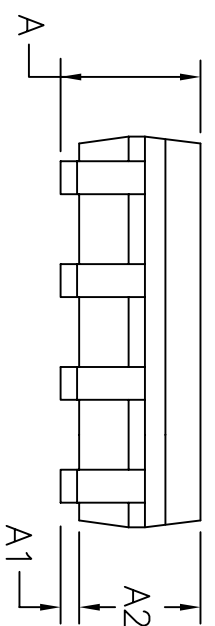


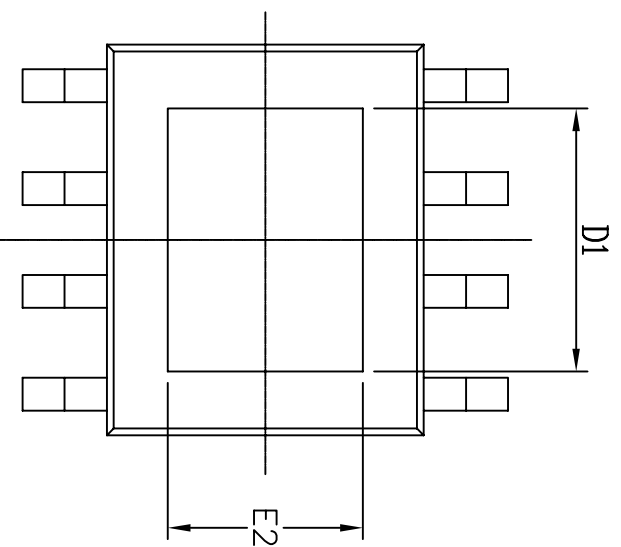
REVISION HISTORY				
REV.	DISCRIPTION	DATE	APP'D	
A	DRAWING ORIGINATION	06/08/07	JL	
B	CHANGE DRAWING LOGO AND COMPANY NAME	11/21/07	JL	



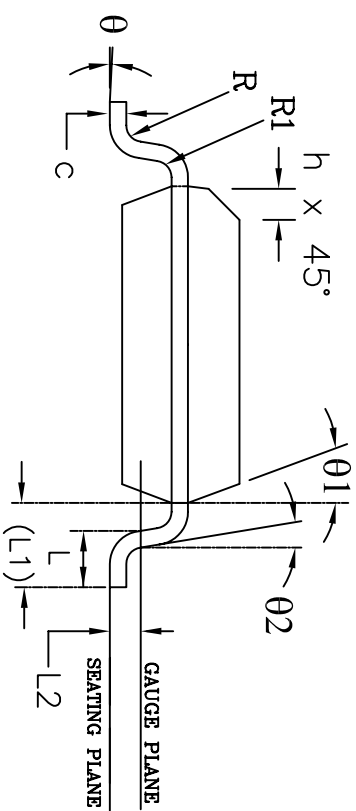
Top View



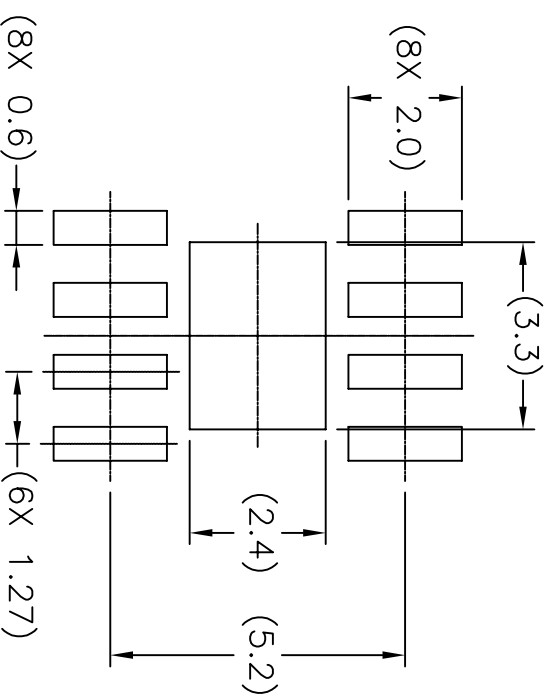
Side View



Bottom View



Front View



LAND PATTERN RECOMMENDATION

8 Pin HSOICN JEDEC MS-012 Variation BA									
SYMBOLS	DIMENSIONS IN MM (Control Unit)				DIMENSIONS IN INCH (Reference Unit)				
	MIN	NOM	MAX		MIN	NOM	MAX		MAX
A	1.35	—	1.70	0.053	—	—	0.067		
A1	0.00	—	0.15	0.000	—	—	0.006		
A2	1.25	—	1.65	0.049	—	—	0.065		
b	0.31	—	0.51	0.012	—	—	0.020		
c	0.17	—	0.25	0.007	—	—	0.010		
D	—	4.90 BSC	—	—	—	—	0.193 BSC		
D1	—	3.30 REF	—	—	—	—	0.130 REF		
E	—	6.00 BSC	—	—	—	—	0.236 BSC		
E1	—	3.90 BSC	—	—	—	—	0.154 BSC		
E2	—	2.41 REF	—	—	—	—	0.095 REF		
e	—	1.27 BSC	—	—	—	—	0.050 BSC		
h	0.25	—	0.50	0.010	—	—	0.020		
L	0.40	—	1.27	0.016	—	—	0.050		
L1	—	1.04 REF	—	—	—	—	0.041 REF		
L2	—	0.25 BSC	—	—	—	—	0.010 BSC		
R	0.07	—	—	0.003	—	—	—		
R1	0.07	—	—	0.003	—	—	—		
theta	0°	—	8°	0°	—	—	8°		
theta1	5°	—	15°	5°	—	—	15°		
theta2	0°	—	—	0°	—	—	—		
N	—	8	—	—	—	—	8		



EXAR CORPORATION

8 PIN HSOICN PACKAGE OUTLINE

Packaging Approval:

Drawing No: 8-PIN HSOICN

By: JL Date: 11/21/07

Revision: B Sheet: 1 OF 1