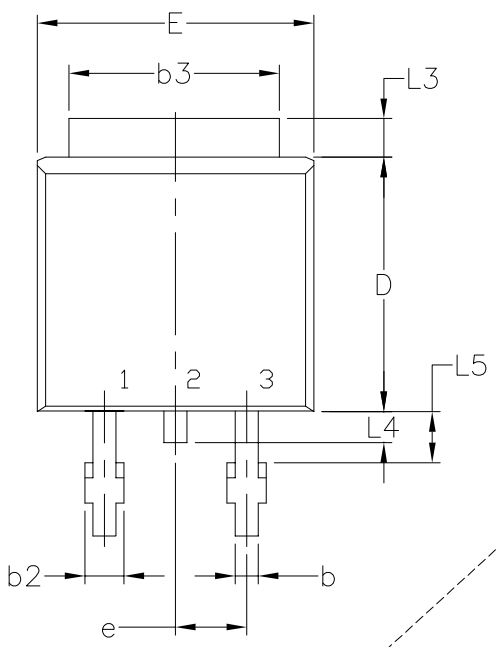
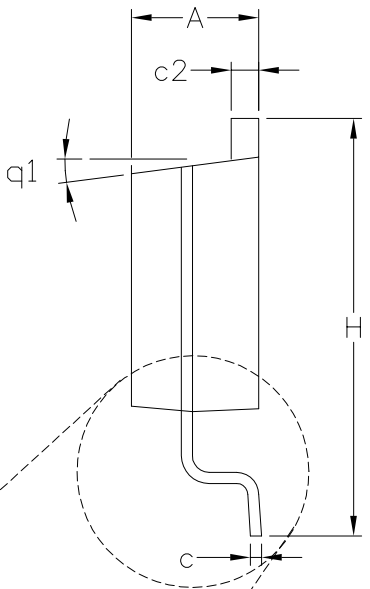


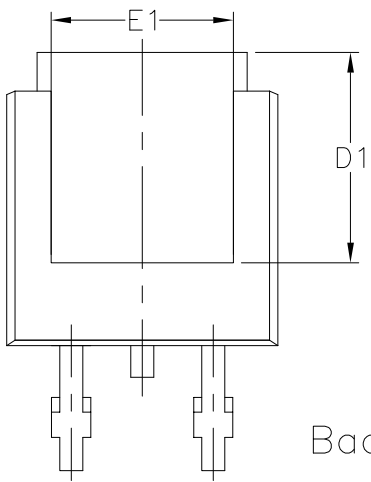
REVISION HISTORY			
REV.	DISCRIPTION	DATE	APP'D
A	DRAWING ORINATION	11/14/13	AD



Top View

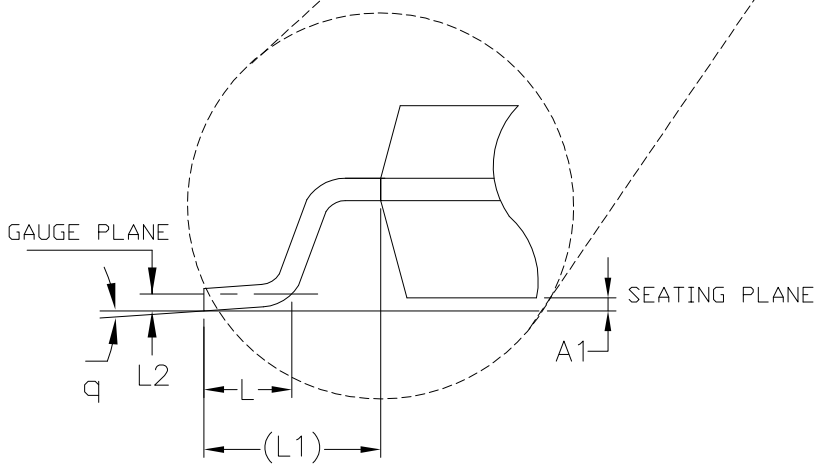


Side View




Back View

Rotated 90* CW



3 Pin TO-252 JEDEC TO-252 Variation AA						
SYMBOLS	DIMENSIONS IN INCH (Control Unit)			DIMENSIONS IN MM (Reference Unit)		
	MIN	NOM	MAX	MIN	NOM	MAX
A	0.086	—	0.094	2.18	—	2.39
A1	—	—	0.005	—	—	0.13
b	0.025	—	0.035	0.64	—	0.89
b2	0.030	—	0.045	0.76	—	1.14
b3	0.195	—	0.215	4.95	—	5.46
c	0.018	—	0.024	0.46	—	0.61
c2	0.018	—	0.035	0.46	—	0.89
D	0.235	0.240	0.245	5.97	6.10	6.22
D1	0.205	—	—	5.21	—	—
E	0.250	—	0.265	6.35	—	6.73
E1	0.170	—	—	4.32	—	—
e	0.090 BSC			2.29 BSC		
H	0.370	—	0.410	9.40	—	10.41
L	0.055	0.060	0.070	1.40	1.52	1.78
L1	0.108 REF			2.74 REF		
L2	0.020 BSC			0.51 BSC		
L3	0.035	—	0.050	0.89	—	1.27
L4	—	—	0.040	—	—	1.02
L5	0.045	—	0.060	1.14	—	1.52
q	0°		10°	0°		10°
q1	0°		15°	0°		15°
N	3			3		

 A New Direction in Mixed-Signal	EXAR CORPORATION		
	TO-252 PACKAGE OUTLINE		
Packaging Approval:	Drawing No:	POD-0000023	
By: AD	Date: 11/14/13	Revision: A	Sheet: 1 OF 1