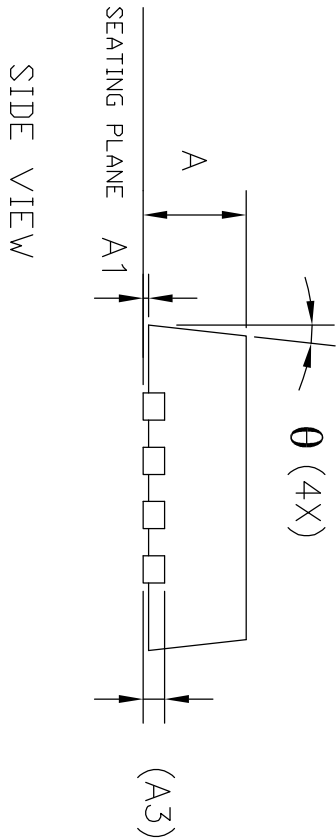
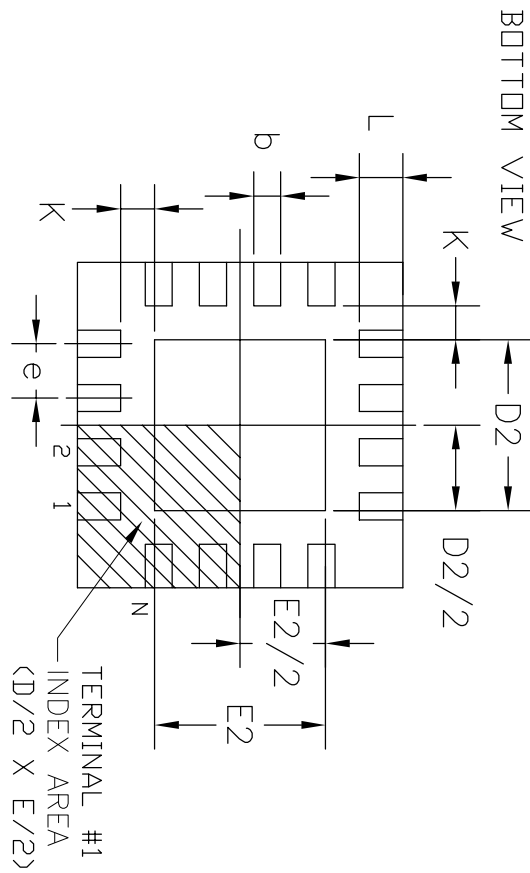
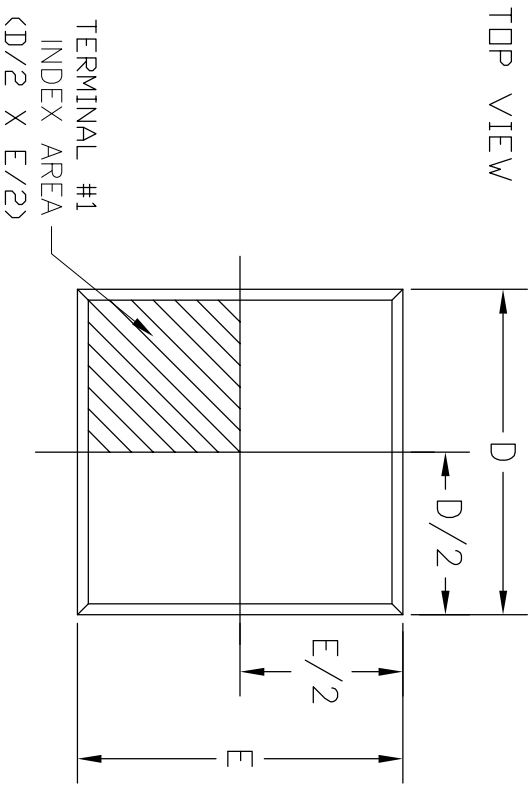


REVISION HISTORY

REV.	DESCRIPTION	DATE	APP'D
A	DRAWING ORIGINATOR	02/11/09	PC
B	CHANGE DIMENSION A FROM 0.80mm MAX TO 0.9mm MAX.	03/16/12	PC



40LD 6x6 TQFN JEDEC MO-220		DIMENSIONS IN MM (Control Unit)		DIMENSIONS IN INCH (Reference Unit)		
SYMBOLS	MIN	NOM	MAX	MIN	NOM	MAX
A	0.70	—	0.90	0.028	—	0.035
A1	0.00	0.02	0.05	0.000	0.001	0.002
A3	0.20	REF	—	0.008	REF	—
b	0.18	0.25	0.30	0.007	0.010	0.012
D	6.00	BSC	—	0.236	BSC	—
D2	4.50	4.65	4.80	0.177	0.183	0.189
E	6.00	BSC	—	0.236	BSC	—
E2	4.50	4.65	4.80	0.177	0.183	0.189
e	0.50	BSC	—	0.020	BSC	—
L	0.35	0.40	0.45	0.014	0.016	0.018
K	0.20	—	—	0.008	—	—
theta	0°	—	14°	0°	—	14°
N	—	40	—	—	40	—
ND	—	10	—	—	10	—
NE	—	10	—	—	10	—



EXAR CORPORATION

40 PIN 6x6 TQFN PACKAGE OUTLINE

Packaging Approval:

Drawing No: 40-PIN 6x6 TQFN

By: PC Date: 03/16/12

Revision: B Sheet: 1 OF 1