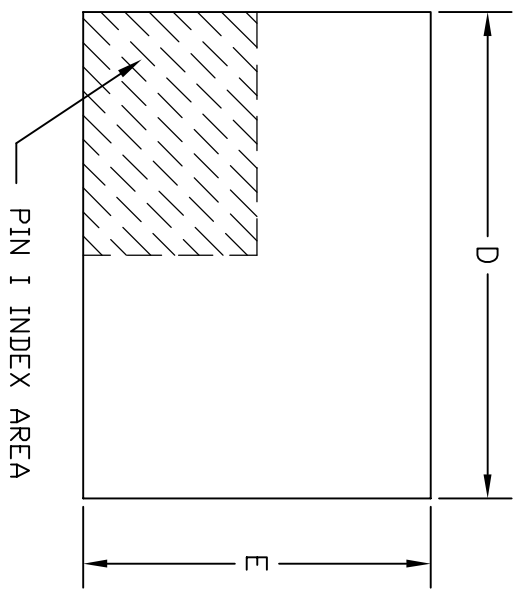
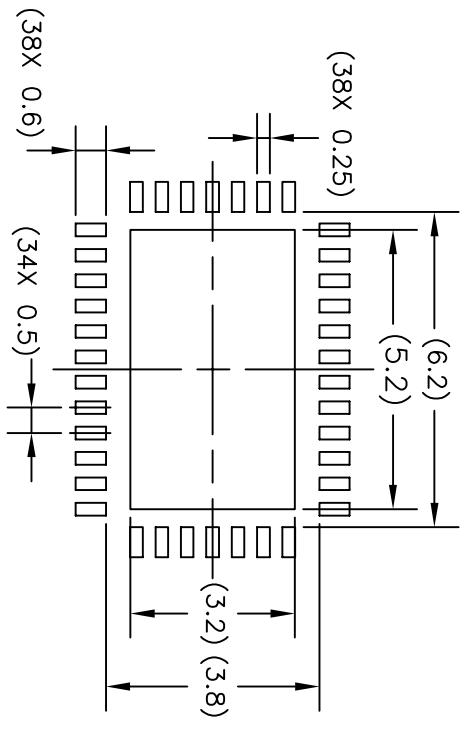
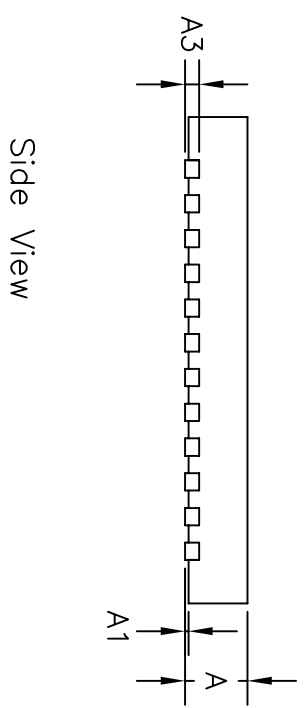
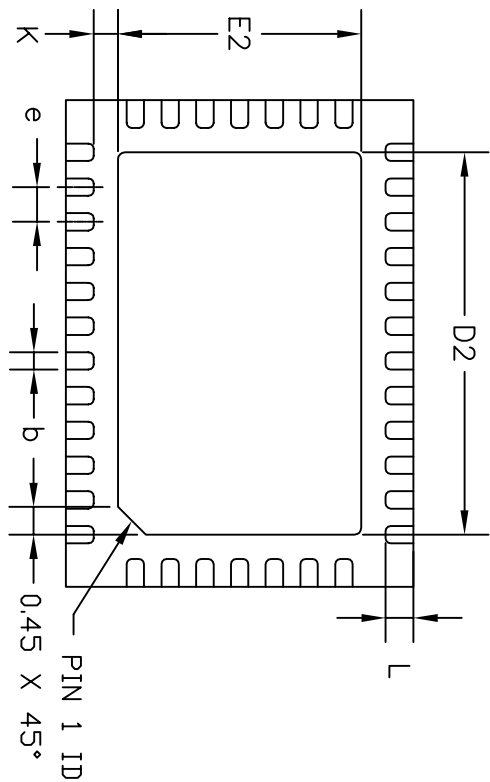


Top View



Bottom View



REVISION HISTORY			
REV.	DISCRIPTION	DATE	APP'D
A	DRAWING ORIGINATION	03/16/07	JL
B	CHANGE DRAWING LOGO AND COMPANY NAME	11/21/07	JL

38LD 7x5 TQFN JEDEC MO-220 Variation WKHD						
SYMBOLS	DIMENSIONS IN MM	DIMENSIONS IN INCH				
	(Control Unit)	(Reference Unit)				
	MIN	NOM	MAX	MIN	NOM	MAX
A	0.70	0.75	0.80	0.028	0.030	0.031
A1	0.00	0.02	0.05	0.000	0.001	0.002
A3	0.20 REF		0.008 REF			
b	0.18	0.25	0.30	0.007	0.010	0.012
D	7.00 BSC		0.276 BSC			
D2	5.45	5.50	5.55	0.215	0.217	0.219
E	5.00 BSC		0.197 BSC			
E2	3.45	3.50	3.55	0.136	0.138	0.140
e	0.50 BSC		0.020 BSC			
L	0.35	0.40	0.45	0.014	0.016	0.018
K	0.20	—		0.008	—	
N	38		38			
ND	12		12			
NE	7		7			

LAND PATTERN RECOMMENDATION



EXAR CORPORATION

Packaging Approval:		Drawing No:		38-PIN 7x5 TQFN	
By:	JL	Date:	11/21/07	Revision:	B
			Sheet:	1 OF 1	