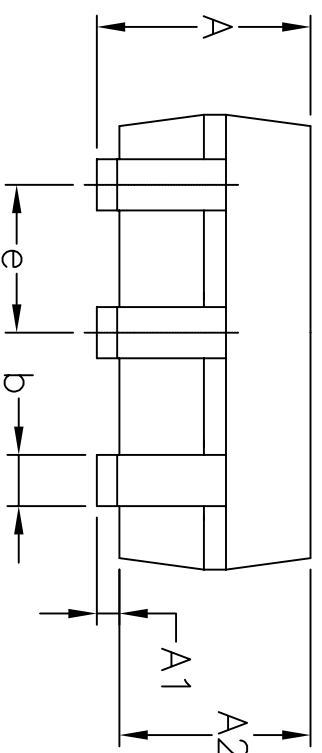
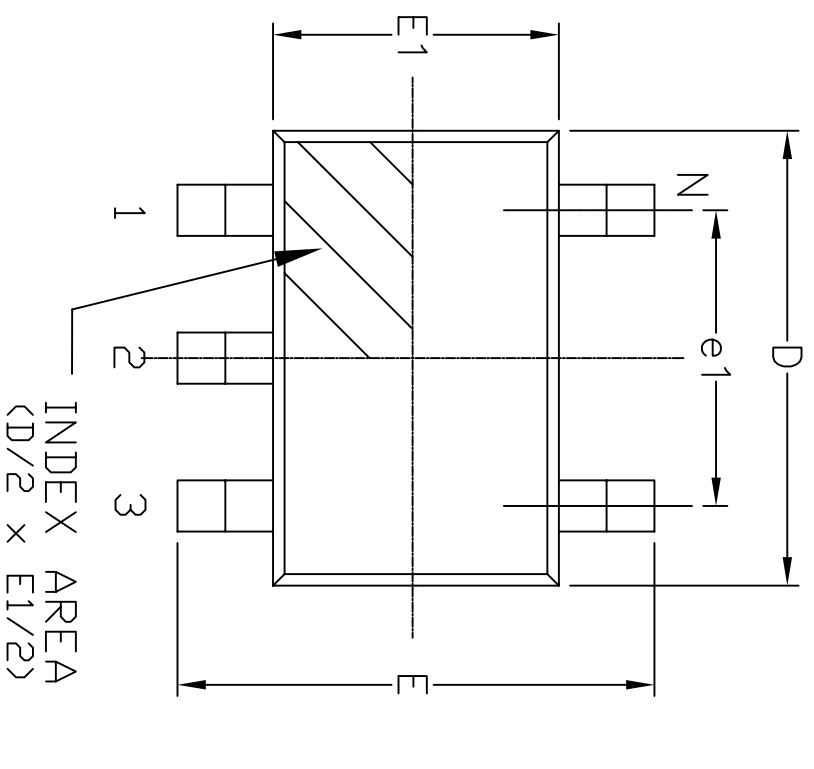
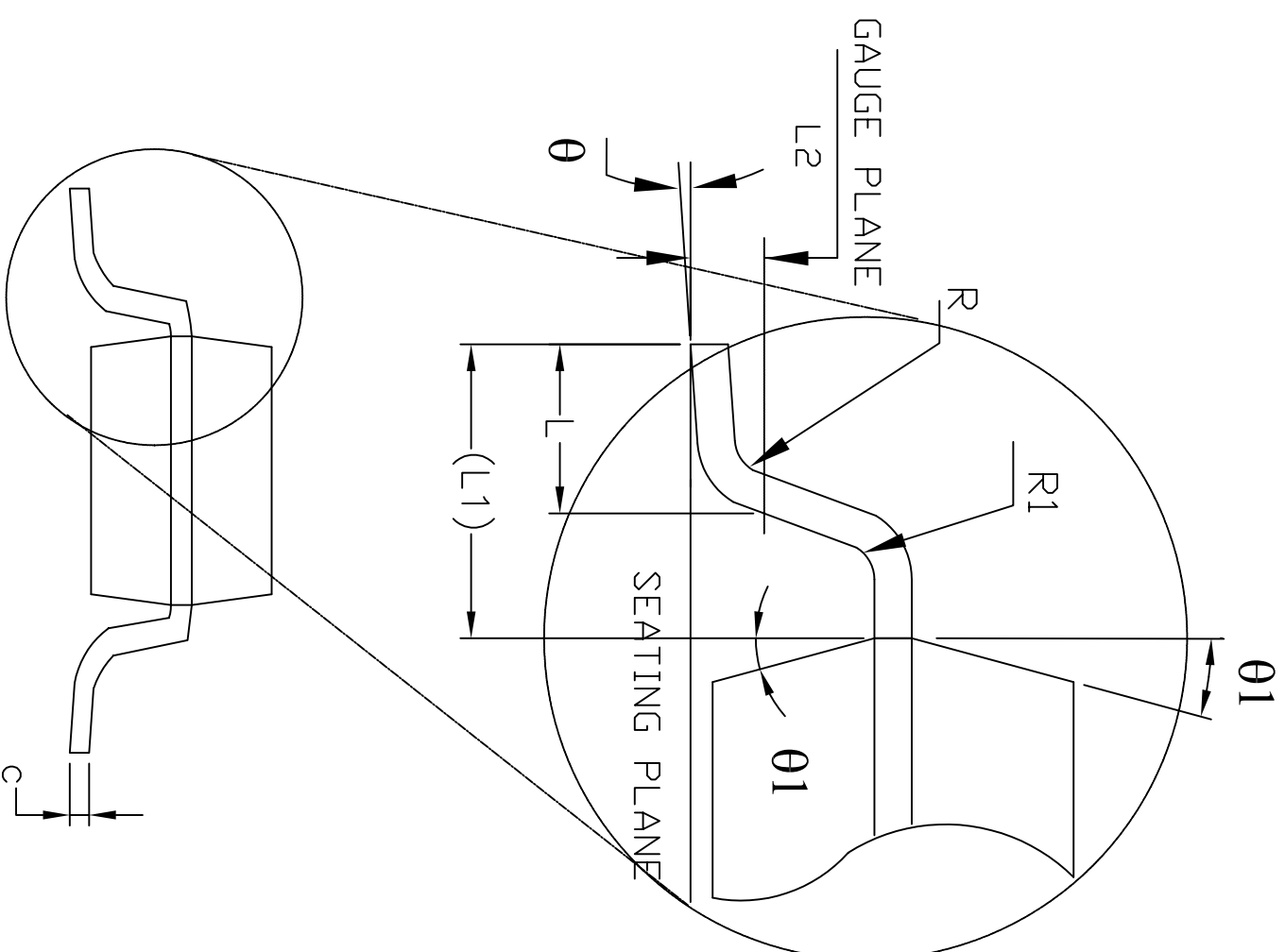


REVISION HISTORY			
REV.	DESCRIPTION	DATE	APP'D
A	DRAWING ORIGINATION	08/04/05	JL
B	DRAWING FORMAT MODIFICATION	09/13/06	JL
C	CHANGE DRAWING LOGO AND COMPANY NAME	11/28/07	JL

Top View



Side View



Front View

5 Pin TSOT JEDEC MO-193 Variation AB									
SYMBOLS	DIMENSIONS IN MM (Control Unit)				DIMENSIONS IN INCH (Reference Unit)				
	MIN	NOM	MAX		MIN	NOM	MAX		MAX
A	—	—	1.10	—	—	—	—	—	0.043
A1	0.00	—	0.10	0.000	—	—	—	—	0.004
A2	0.70	0.90	1.00	0.028	0.036	0.039			
b	0.30	—	0.50	0.012	—	—	—	—	0.020
c	0.08	—	0.20	0.003	—	—	—	—	0.008
D		2.90 BSC		0.114 BSC					
E		2.80 BSC		0.110 BSC					
E1		1.60 BSC		0.063 BSC					
e		0.95 BSC		0.038 BSC					
e1		1.90 BSC		0.075 BSC					
L	0.30	0.45	0.60	0.012	0.018	0.024			
L1		0.60 REF		0.024 REF					
L2		0.25 BSC		0.010 BSC					
R	0.10	—	—	0.004	—	—			
R1	0.10	—	0.25	0.004	—	—			0.010
theta	0°	4°	8°	0°	4°	8°			
theta1	4°	10°	12°	4°	10°	12°			
N		5		5					

		EXAR CORPORATION	
Packaging Approval:		Drawing No: 5-PIN TSOT	
By: JL	Date: 11/28/07	Revision: C	Sheet: 1 OF 1