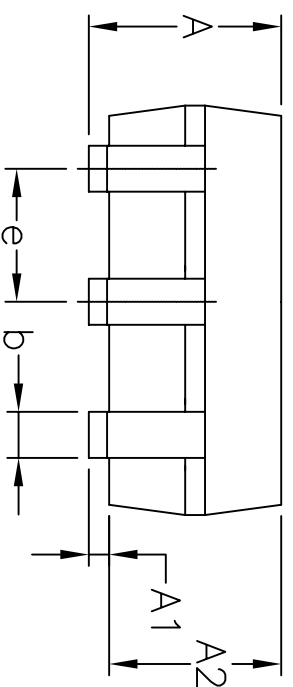
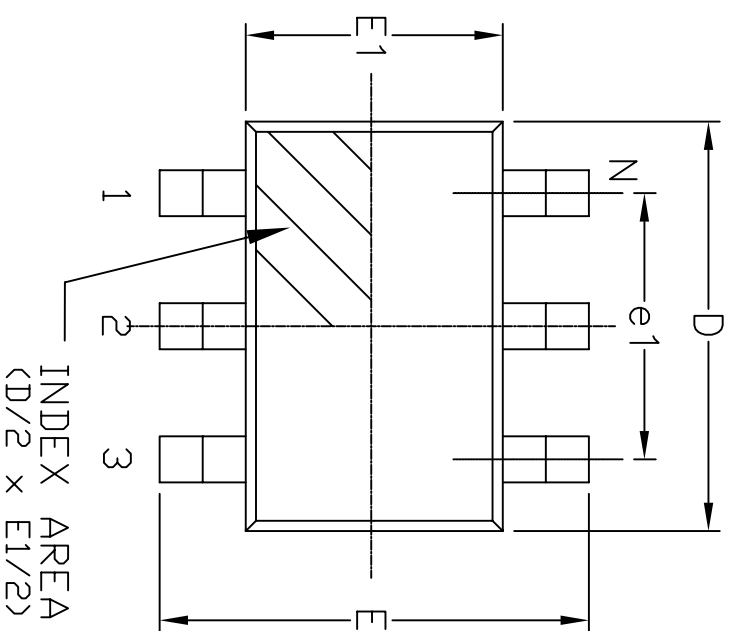
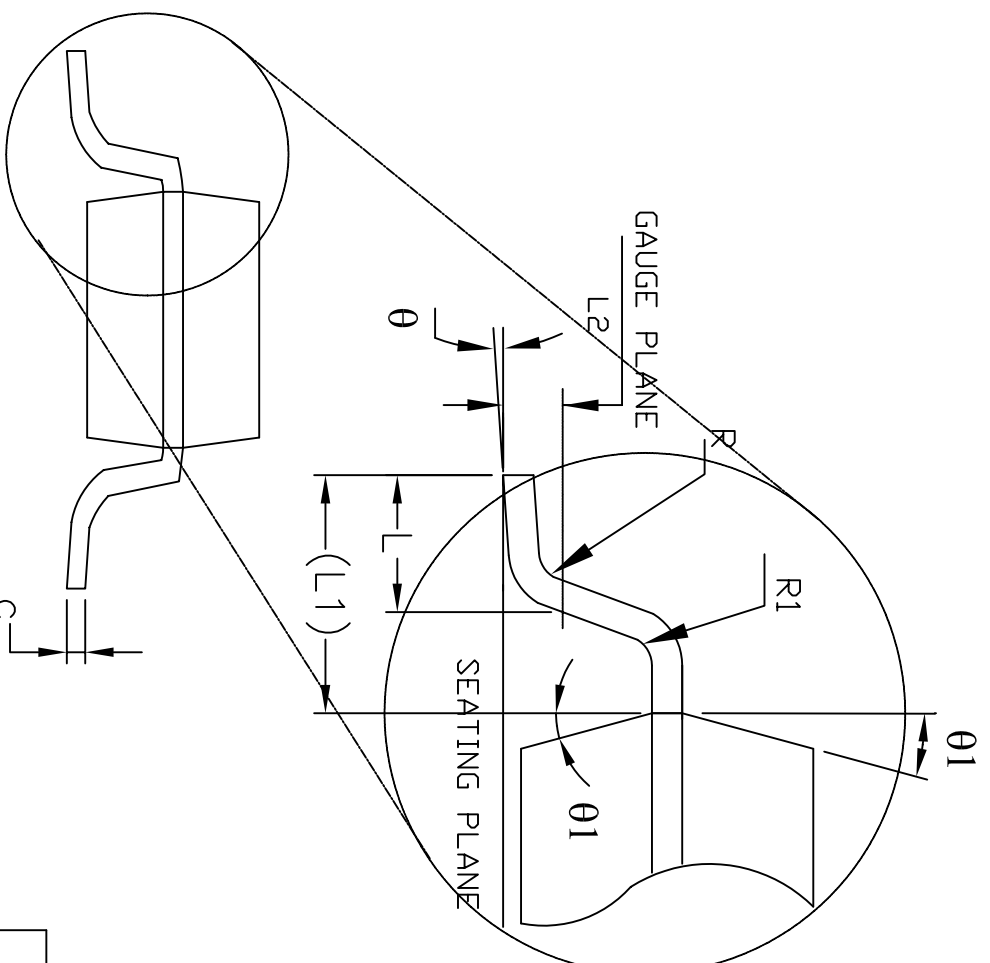
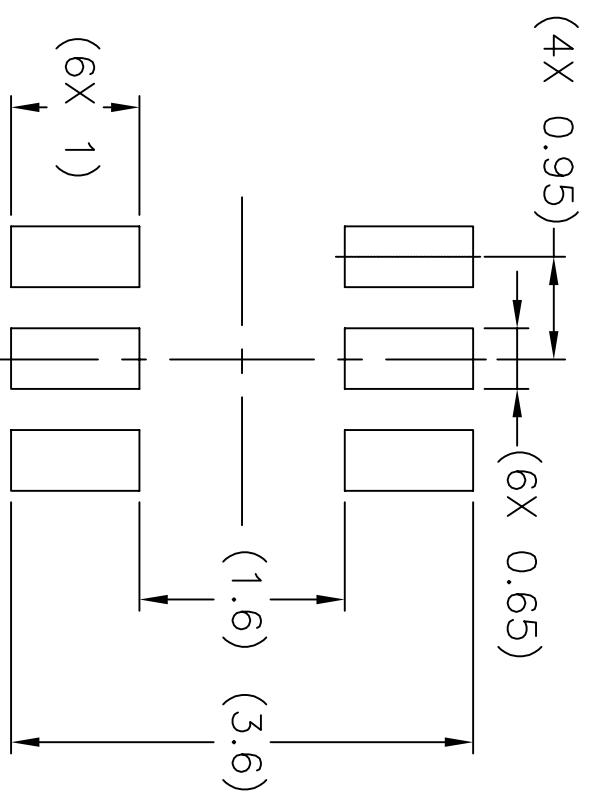


Top View



Side View



Front View

REVISION HISTORY			
REV.	DISCRPTION	DATE	APP'D
A	DRAWING ORIGINATION	10/03/05	JL
B	DRAWING FORMAT MODIFICATION	09/13/06	JL
C	ADD LAND PATTERN RECOMMENDATION	08/20/07	JL
D	CHANGE DRAWING LOGO AND COMPANY NAME	11/21/07	JL

6 Pin TSOT JEDEC MO-193 Variation AA									
SYMBOLS	DIMENSIONS IN MM (Control Unit)			DIMENSIONS IN INCH (Reference Unit)					
	MIN	NOM	MAX	MIN	NOM	MAX			
A	—	—	1.10	—	—	0.043			
A1	0.00	—	0.10	0.000	—	0.004			
A2	0.70	0.90	1.00	0.028	0.036	0.039			
b	0.30	—	0.50	0.012	—	0.020			
c	0.08	—	0.20	0.003	—	0.008			
D	2.90 BSC			0.114 BSC					
E	2.80 BSC			0.110 BSC					
E1	1.60 BSC			0.063 BSC					
e	0.95 BSC			0.038 BSC					
e1	1.90 BSC			0.075 BSC					
L	0.30	0.45	0.60	0.012	0.018	0.024			
L1	0.60 REF			0.024 REF					
L2	0.25 BSC			0.010 BSC					
R	0.10	—	—	0.004	—	—			
R1	0.10	—	0.25	0.004	—	0.010			
θ	0°	4°	8°	0°	4°	8°			
$\theta 1$	4°	10°	12°	4°	10°	12°			
N	6			6					

EXAR Powering Connectivity

EXAR CORPORATION

6 PIN TSOT PACKAGE OUTLINE

Packaging Approval:		Drawing No:	
By: JL	Date: 11/21/07	D	6-PIN TSOT
Revision: D		Sheet: 1 OF 1	