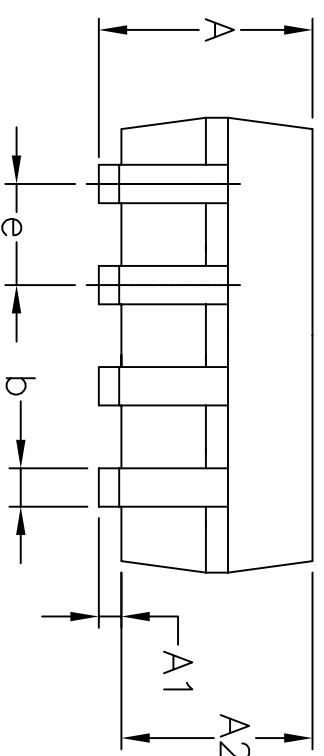
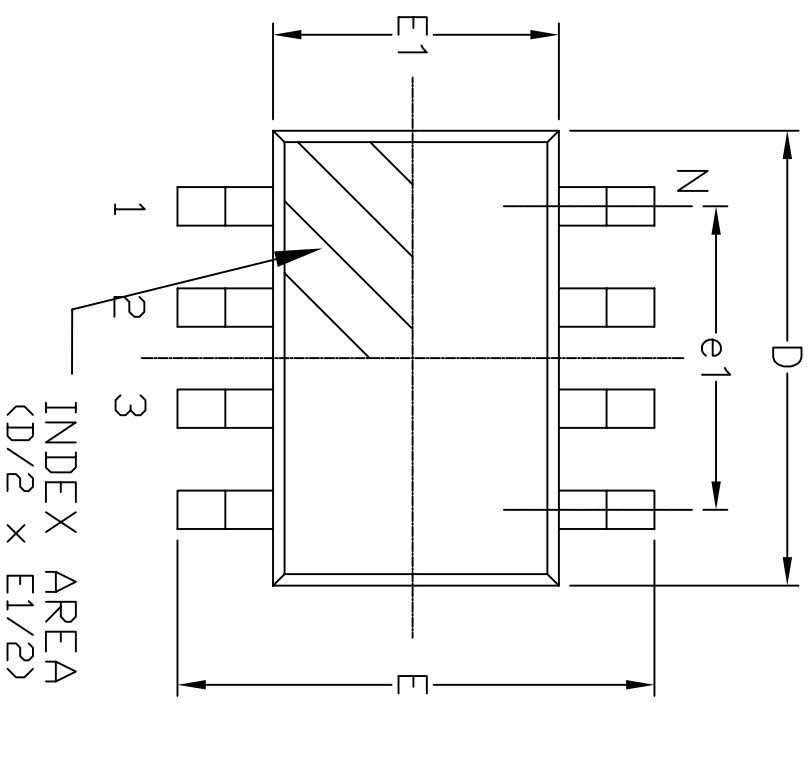
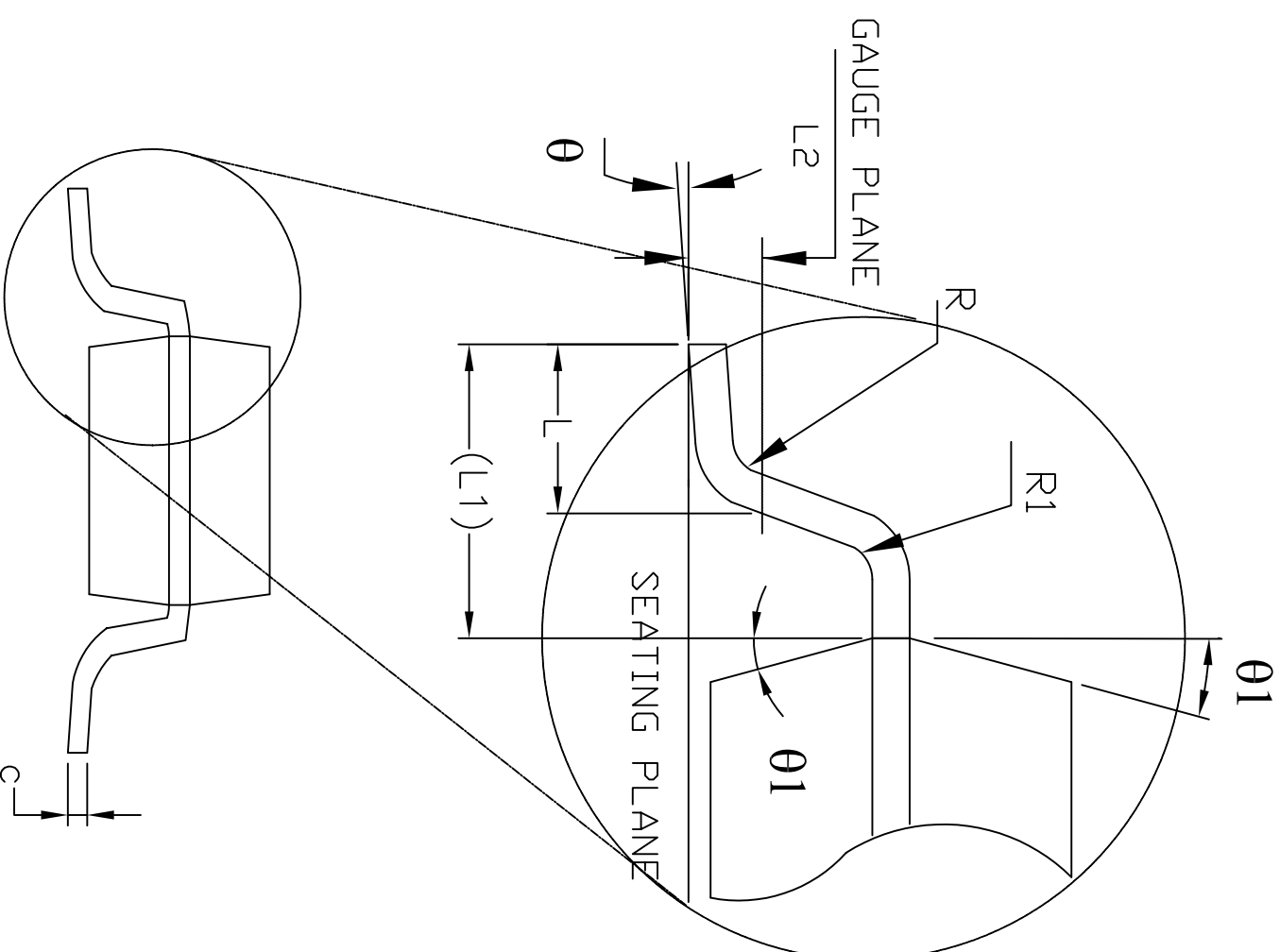


REVISION HISTORY				
REV.	DESCRIPTION	DATE	APP'D	
A	DRAWING ORIGINATION	10/03/05	JL	
B	DRAWING FORMAT MODIFICATION	09/13/06	JL	
C	CHANGE DRAWING LOGO AND COMPANY NAME	11/28/07	JL	

Top View



Side View



Front View

8 Pin TSOT JEDEC MO-193 Variation BA									
SYMBOLS	DIMENSIONS IN MM (Control Unit)				DIMENSIONS IN INCH (Reference Unit)				
	MIN	NOM	MAX	MIN	NOM	MAX	MIN	MAX	
A	—	—	1.10	—	—	—	0.043		
A1	0.00	—	0.10	0.000	—	—	0.004		
A2	0.70	0.90	1.00	0.028	0.036	0.039			
b	0.22	—	0.38	0.009	—	—	0.015		
c	0.08	—	0.20	0.003	—	—	0.008		
D	2.90 BSC			0.114 BSC					
E	2.80 BSC			0.110 BSC					
E1	1.60 BSC			0.063 BSC					
e	0.65 BSC			0.026 BSC					
e1	1.95 BSC			0.077 BSC					
L	0.30	0.45	0.60	0.012	0.018	0.024			
L1	0.60 REF			0.024 REF					
L2	0.25 BSC			0.010 BSC					
R	0.10	—	—	0.004	—	—			
R1	0.10	—	0.25	0.004	—	0.010			
theta	0°	4°	8°	0°	4°	8°			
theta1	4°	10°	12°	4°	10°	12°			
N	8			8					

		EXAR CORPORATION	
Packaging Approval:		Drawing No: 8-PIN TSOT	
By: JL	Date: 11/28/07	Revision: C	Sheet: 1 OF 1