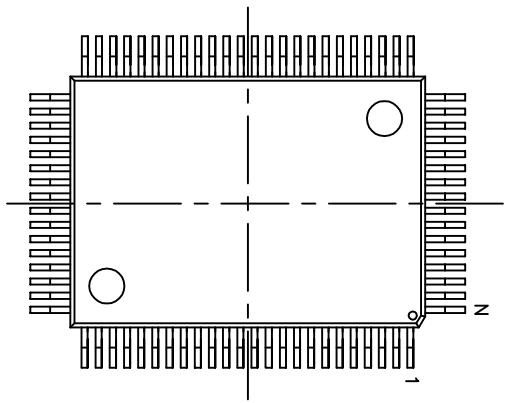
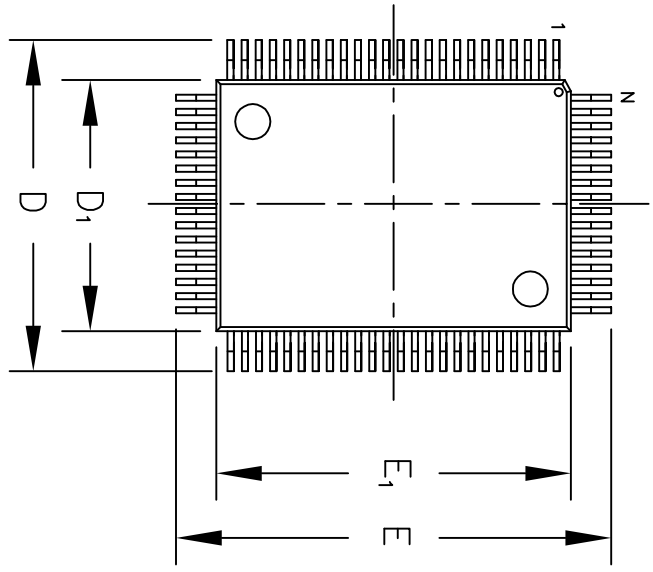
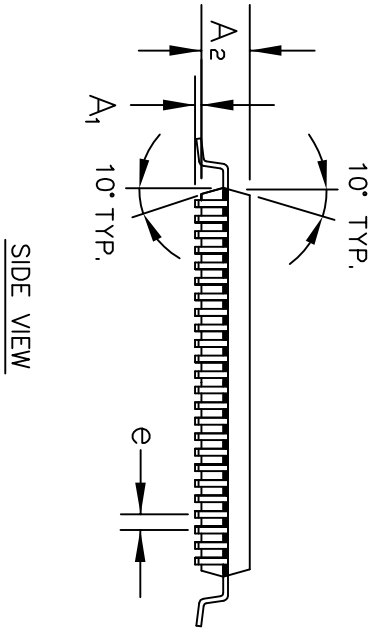


REVISION HISTORY		DATE	APP'D
REV.	DISCRIPTION		
A	DRAWING ORIGINATION	05/05/10	PC

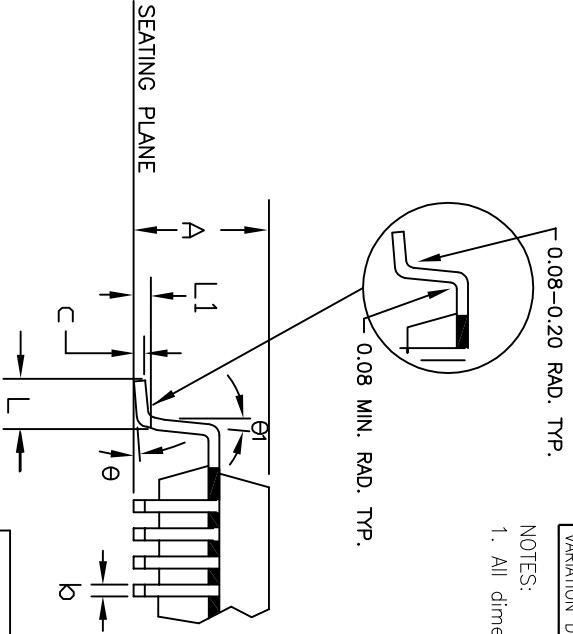


BOTTOM VIEW

TOP VIEW



SIDE VIEW



SYMBOL	LEAD COUNT			TOLERANCE		
	MIN	NOM	MAX	MIN	NOM	MAX
A	—	—	1.60	—	—	1.60
A1	0.05	—	0.15	0.05	—	0.15
A2	1.35	1.40	1.45	1.35	1.40	1.45
b	0.17	0.22	0.27	0.17	0.22	0.27
c	0.09	—	0.20	0.09	—	0.20
D	16.00 BSC			16.00 BSC		
D1	14.00 BSC			14.00 BSC		
E	22.00 BSC			22.00 BSC		
E1	20.00 BSC			20.00 BSC		
e	0.50 BSC			0.50 BSC		
L	0.50	0.60	0.75	0.50	0.60	0.75
theta	0°		3.5°	0°		3.5°
theta1	0°		—	0°		—
N	120		—	128		—
ND	24		—	26		—
NE	36		—	38		—
JEDEC REF DRAWING	N/A		—	MS-026		—
VARIATION DESIGNATOR	N/A		—	BHH		—

NOTES:
1. All dimensions in mm.

		EXAR CORPORATION	
		14 X 20 mm LQFP PACKAGE OUTLINE	
Packaging Approval:		Drawing No: 14 X 20 mm LQFP	
By: PC	Date: 05/05/10	Revision: A	Sheet: 1 OF 1