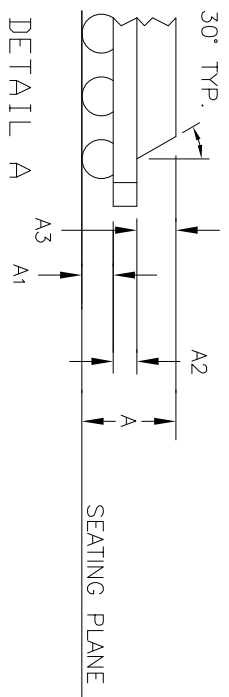
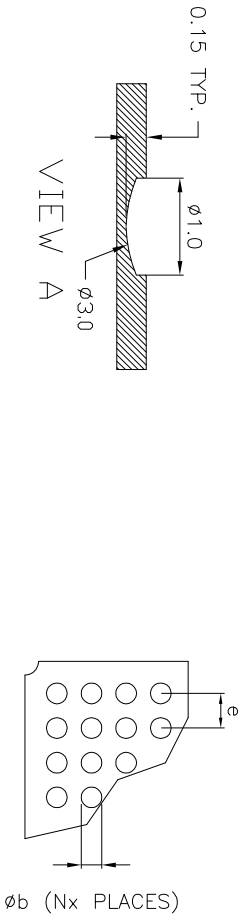
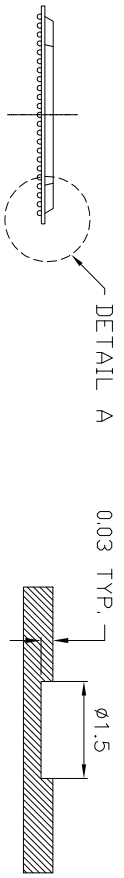
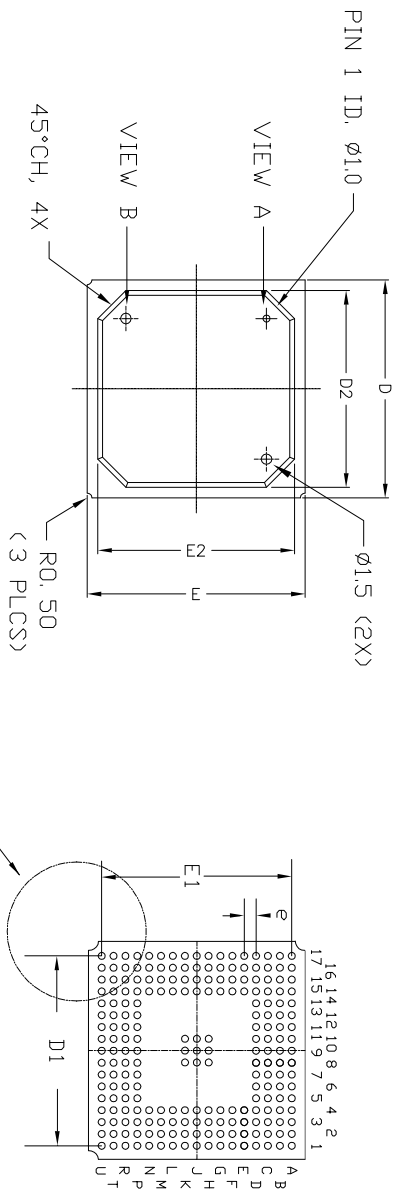


REVISION HISTORY			
REV.	DISCRIPTION	DATE	APP'D
A	DRAWING ORIGINATION	07/14/10	PC



217-BALL 23X23mm PBGA									
SYMBOLS	DIMENSIONS IN MM (Control Unit)					DIMENSIONS IN INCH (Reference Unit)			
	MIN	NOM	MAX	MIN	NOM	MAX	MIN	NOM	MAX
A	1.86	2.21	2.51	0.073	0.087	0.099			
A1	0.50	0.60	0.70	0.020	0.024	0.028			
A2	0.56	0.61	0.66	0.022	0.024	0.026			
A3	0.80	1.00	1.15	0.031	0.039	0.045			
D	22.80	23.00	23.20	0.898	0.906	0.914			
D1		20.32	BSC		0.800	BSC			
D2	19.95	20.00	20.05	0.785	0.787	0.789			
E	22.80	23.00	23.20	0.898	0.906	0.914			
E1		20.32	BSC		0.800	BSC			
E2	19.95	20.00	20.05	0.785	0.787	0.789			
b	0.60	0.75	0.90	0.024	0.030	0.035			
e		1.27	BSC		0.050	BSC			
M		17			17				
N		217			217				

NOTES: "M" REPRESENTS THE SOLDER BALL MATRIX SIZE.

		EXAR CORPORATION	
		217-BALL 23X23mm PBGA PACKAGE OUTLINE	
Packaging Approval:		Drawing No: 217-BALL 23X23mm PBGA	
By: PC	Date: 07/14/10	Revision: A	Sheet: 1 OF 1