

Highly Integrated Multi-Protocol Access Solution

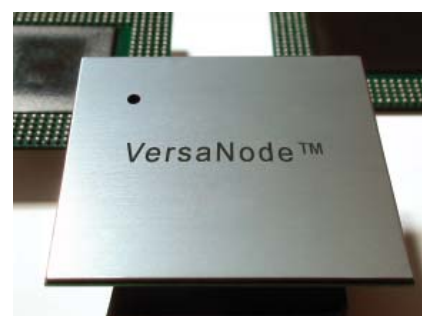
Features

- Dual SONET/SDH line interface supporting 1+1 and 1:1 linear APS, High and Low Order UPSR/ SNCP and Resilient Packet Rings
 - Full SONET/SDH Transport Overhead (TOH) processing, with configurable serial extraction and insertion of full TOH or only DCC portion
 - SONET/SDH High and Low Order path termination
 - TU 3/TUG 3 and TUG 2/TUG 3 support
 - Serial POH extraction and insertion
- SPI-3 Co-Processor port supporting Layer 2/3 packet processing
 - Connection to Ethernet ports and SONET/SDH data encapsulation channels
 - Supports RPR, client aggregation, Class of Service
- Flexible mapping of data signals into any Contiguous or Virtual Concatenation of VT1.5/ STS-1/STS-3c or VC-12/VC-3/VC-4 containers
 - Simultaneous use of Ethernet ports and SPI-3 data channels
 - Packet encapsulation using GFP, X.86 LAPS and RFC1662 PPP
 - Simultaneous High and Low Order Virtual Concatenation with optional LCAS support per group
 - Up to 500 μ sec differential delay compensation with internal buffer, or up to 250 msec with external SDRAM
- Flexible mapping of PDH client signals into any VT1.5/STS-1 or VC-12/VC-3 containers
 - Per-channel mixed mapping of up to 28 DS1s or E1s into SONET or SDH
 - Per-channel mixed mapping of up to 3 DS3s or E3s into SONET or SDH
 - Single M13/E13 multiplexer for DS1/E1 to DS3/E3 to STS/VC mapping
- Multi-drop 155/622 Mbps Telecom Bus interface for connection to supplemental mappers
- Simultaneous support of all services up to 155/622 Mbps aggregate rate
- Generic 16-bit microprocessor interface
- E3s into SONET or SDH
- Single M13/E13 multiplexer for DS1/E1 to DS3/E3 to STS/VC mapping
- Multi-drop 155/622 Mbps Telecom Bus interface for connection to supplemental mappers
- Simultaneous support of all services up to 155/622 Mbps aggregate rate
- Generic 16-bit microprocessor interface

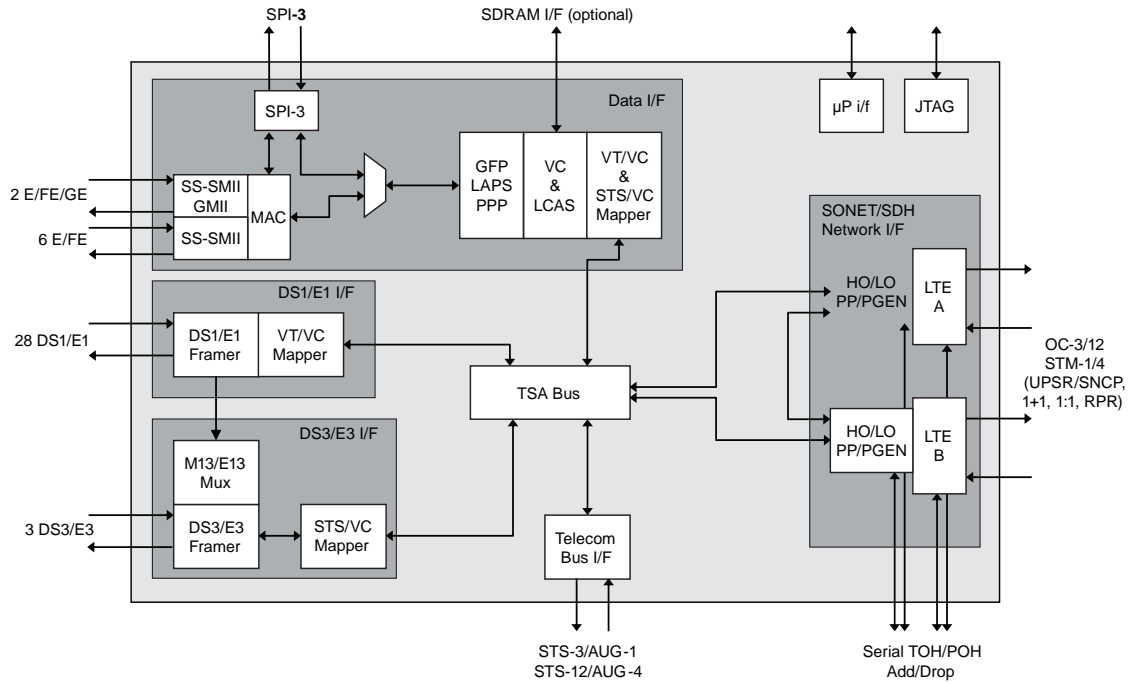
VersaNode is a highly integrated Multi-Protocol Access solution supporting traditional SONET/SDH linear and ring architectures as well as emerging packet rings. VersaNode is equipped with multiple voice, leased line and data service interfaces such as 10/100 Ethernet, Gigabit Ethernet, SPI-3 Co-Processor, DS1/E1, and DS3/E3. The SONET/SDH interfaces support redundant OC-3/12 or STM-1/4 lines. Data mapping, such as Ethernet over SONET/SDH (EoS), is supported through Virtual Concatenation (VC) with Link Capacity Adjustment Scheme (LCAS), with simultaneous use of mixed High Order (STS/VC paths) and Low Order (VT/VC paths).

With DS1/E1, DS3/E3 and Ethernet client interfaces, a packet co-processor port, flexible mapping, and redundant SONET/SDH line interfaces supporting linear and ring based optical networks, VersaNode integrates the technologies required to simplify the development of next generation multi-service and multi-protocol access solutions.

The internal Time Slot Assigner provides complete flexibility in the mapping of client signals into appropriate high or low order transport containers. HDLC and GFP encapsulation along with Virtual Concatenation and LCAS enable the efficient delivery of Ethernet and other data services. The packet co-processor port provides the flexibility to support the evolution of packet grooming and aggregation at the edge as well as packet based transport networks such as Resilient Packet Rings.



Block Diagram



Interfaces

- Equipment / client side:
 - Up to 2 Gigabit Ethernet via GMII
 - Up to 8 Ethernet / Fast Ethernet via SS-SMII
 - OIF compliant SPI 3 connection to packet co-processor
 - 28 x DS1/E1
 - 3 x DS3/E3
 - STS 3/AUG-1 or STS 12/AUG 4 byte wide multi-drop Telecom Bus
- Line / trunk side:
 - Protected OC-3/12 or STM-1/4

Applications

- Network Access Equipment
- Telecom/Datacom Aggregation Equipment
- Multi-Service Customer Premises or Customer Located Equipment
- Test Equipment

For additional applications
please visit our solutions catalog at

http://www.galazar.com/solutions/solutions_catalog.html

Ordering Information

Part
GLZ5260-02-CSBI (RoHS5)
GLZ5260-02-CSAI (RoHS6)

Operating Temp. Range
Industrial
Industrial