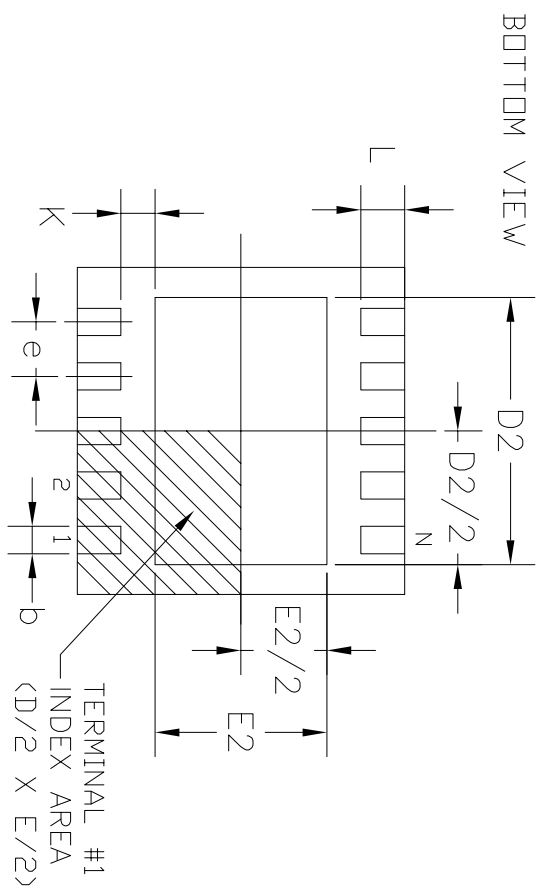
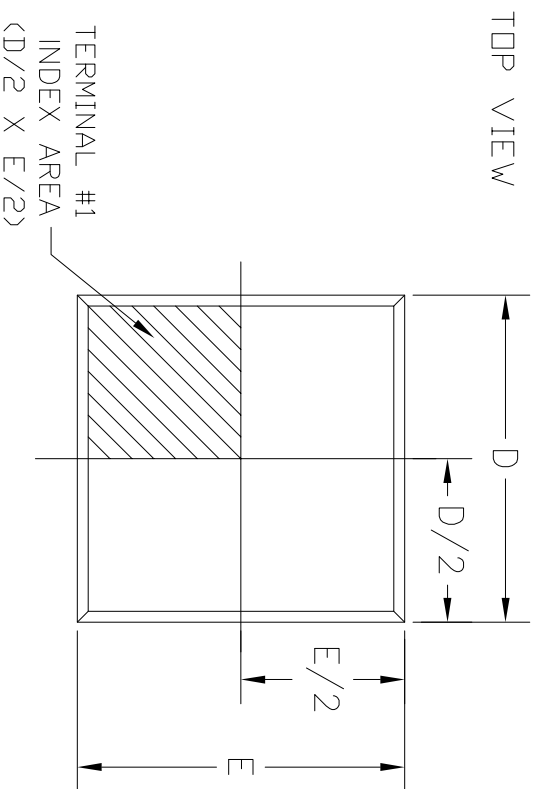
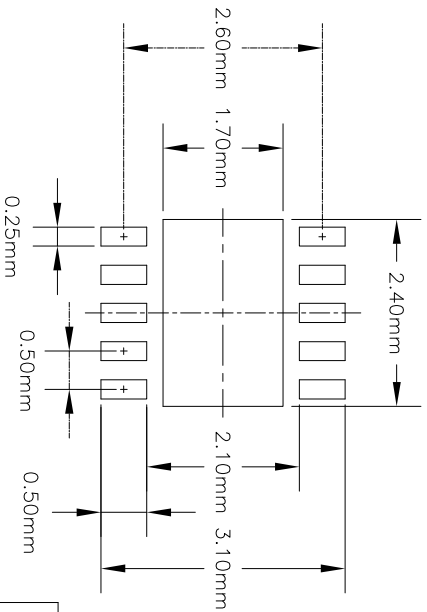
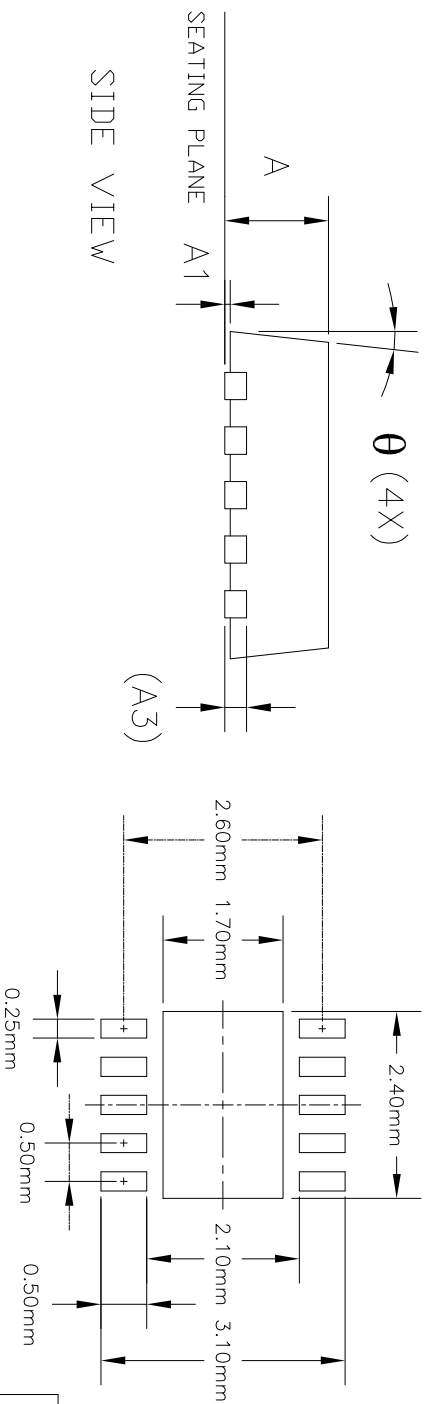


REVISION HISTORY			
REV.	DISCRIPTION	DATE	APP'D
A	DRAWING ORIGINATION	04/27/10	PC



Recommended PCB Land Pattern



SYMBOLS	DIMENSIONS IN MM (Control Unit)			DIMENSIONS IN INCH (Reference Unit)		
	MIN	NOM	MAX	MIN	NOM	MAX
A	0.70	0.75	0.80	0.028	0.030	0.032
A1	0.00	0.02	0.05	0.000	0.001	0.002
A3	0.20 REF			0.008 REF		
b	0.17	0.22	0.27	0.007	0.009	0.011
D	3.00 BSC			0.118 BSC		
D2	2.35	2.40	2.45	0.093	0.095	0.097
E	3.00 BSC			0.118 BSC		
E2	1.65	1.70	1.75	0.065	0.067	0.069
e	0.50 BSC			0.020 BSC		
L	0.35	0.40	0.45	0.014	0.016	0.018
K	0.20	—	—	0.008	—	—
$\theta$	0°	—	14°	0°	—	14°
N	10			10		
ND	5			5		

10LD 3x3 TDFN JEDEC MO-229 Variation WEED-5



**EXAR CORPORATION**

10 PIN 3x3 TDFN PACKAGE OUTLINE

Packaging Approval: Drawing No: 10-PIN 3x3 TDFN

By: PC Date: 04/27/10 Revision: A Sheet: 1 OF 1