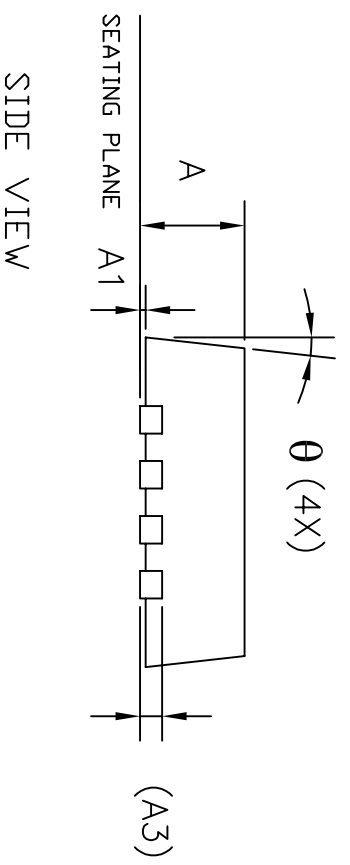
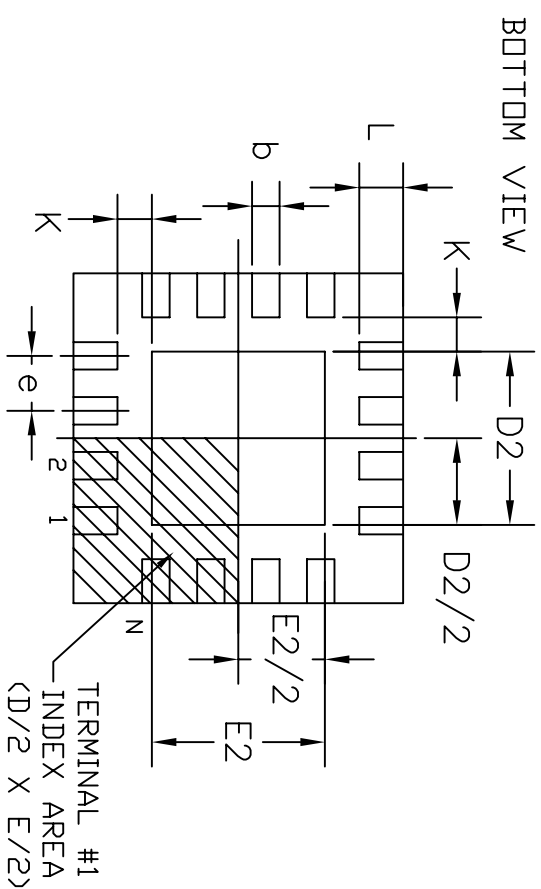
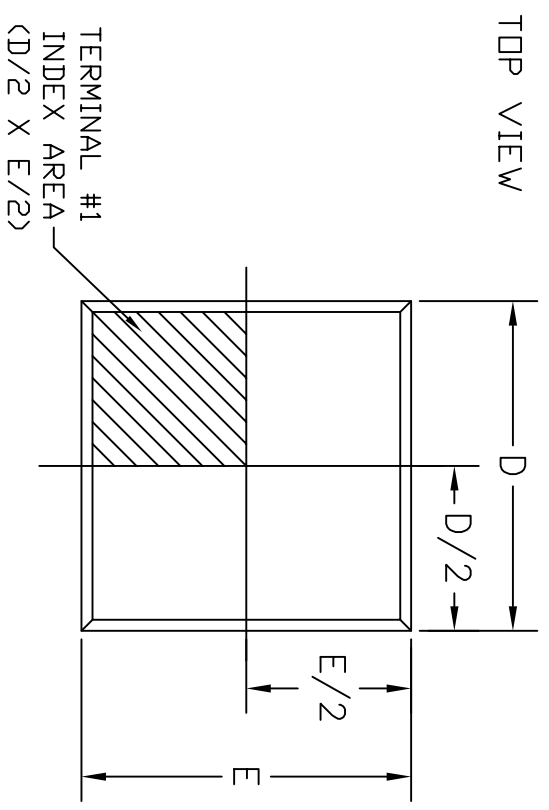


REVISION HISTORY			
REV.	DESCRIPTION	DATE	APP'D
A	DRAWING ORIGINATION	10/31/05	JL
B	MODIFY DRAWING FORMAT	07/20/06	JL
C	CHANGE DRAWING LOGO AND COMPANY NAME	11/21/07	JL



16LD 4x4 QFN JEDEC MO-220 Variation VGGC-4

SYMBOLS	DIMENSIONS IN MM (Control Unit)			DIMENSIONS IN INCH (Reference Unit)		
	MIN	NOM	MAX	MIN	NOM	MAX
A	0.80	0.90	1.00	0.032	0.036	0.039
A1	0.00	0.02	0.05	0.000	0.001	0.002
A3	0.20 REF			0.008 REF		
b	0.25	0.30	0.35	0.010	0.012	0.014
D	4.00 BSC			0.157 BSC		
D2	2.20	2.40	2.60	0.087	0.094	0.102
E	4.00 BSC			0.157 BSC		
E2	2.20	2.40	2.60	0.087	0.094	0.102
e	0.65 BSC			0.026 BSC		
L	0.45	0.55	0.65	0.018	0.022	0.026
K	0.20	—		0.008	—	
theta	0°	—		0°	—	
N	16			16		
ND	4			4		
NE	4			4		

		<b>EXAR CORPORATION</b>	
		16 PIN 4x4 QFN PACKAGE OUTLINE	
Packaging Approval:		Drawing No: 16-PIN 4x4 QFN	
By: JL	Date: 11/21/07	Revision: C	Sheet: 1 OF 1