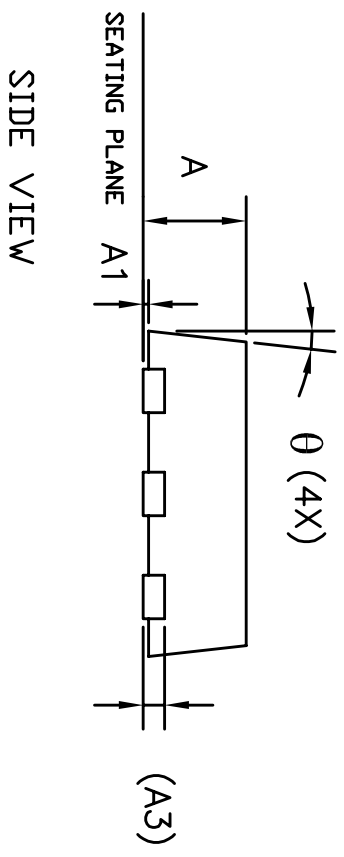
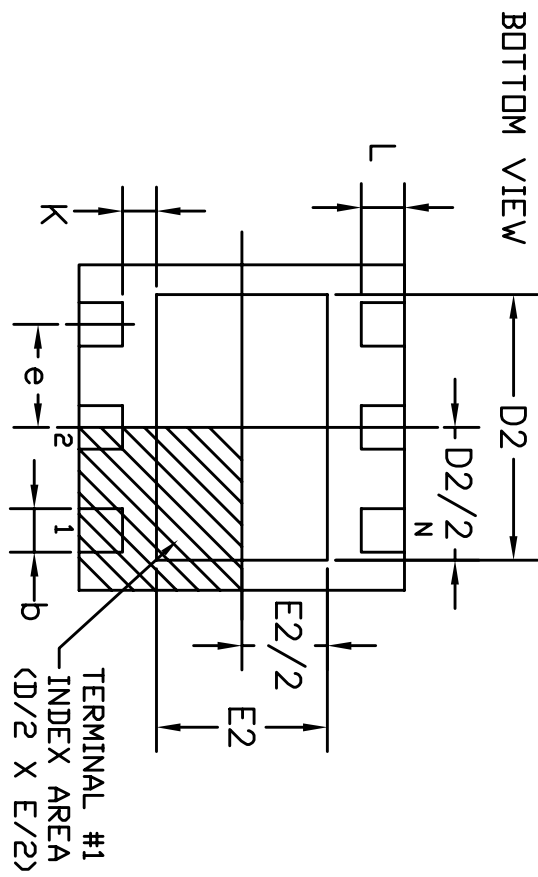
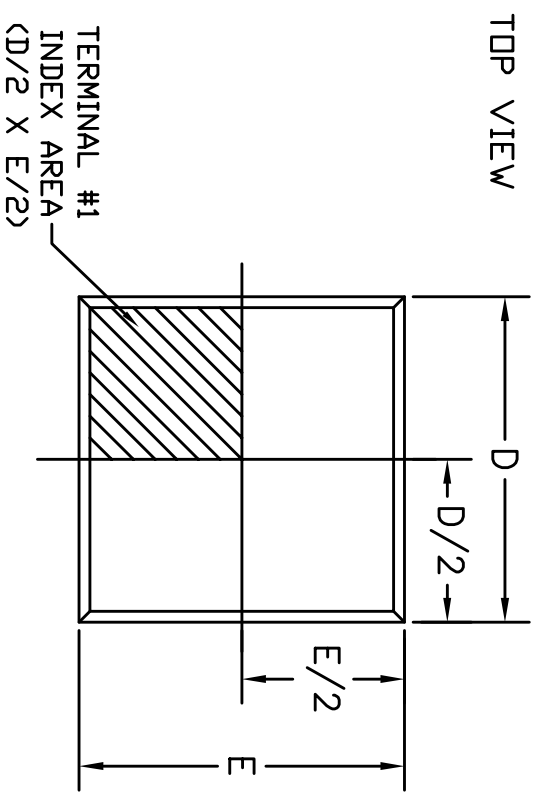


REVISION HISTORY			
REV.	DESCRIPTION	DATE	APP'D
A	DRAWING ORIGINATOR	10/19/05	JL
B	MODIFY DRAWING FORMAT	07/17/06	JL
C	CHANGE DRAWING LOGO AND COMPANY NAME	11/28/07	JL
D	CHANGE DIMENSION D2, E2 AND L	04/14/09	PC



6LD 3x3 DFN JEDEC MO-229 Variation VEEA						
SYMBOLS	DIMENSIONS IN MM (Control Unit)			DIMENSIONS IN INCH (Reference Unit)		
	MIN	NOM	MAX	MIN	NOM	MAX
A	0.80	0.90	1.00	0.032	0.036	0.039
A1	0.00	0.02	0.05	0.000	0.001	0.002
A3	0.20	REF		0.008	REF	
b	0.30	0.40	0.45	0.012	0.016	0.018
D	3.00	BSC		0.118	BSC	
D2	1.90	—	2.10	0.075	—	0.083
E	3.00	BSC		0.118	BSC	
E2	1.10	—	1.30	0.043	—	0.051
e	0.95	BSC		0.037	BSC	
L	0.40	0.50	0.60	0.016	0.020	0.024
K	0.20	—	—	0.008	—	—
theta	0°	—	14°	0°	—	14°
N	6	—	—	6	—	—
ND	3	—	—	3	—	—

		<b>EXAR CORPORATION</b>	
Packaging Approval: <input type="checkbox"/>		6 PIN 3x3 DFN PACKAGE OUTLINE	
By: PC	Date: 04/14/09	Drawing No: 6-PIN 3x3 DFN	Revision: D
		Sheet: 1 OF 1	