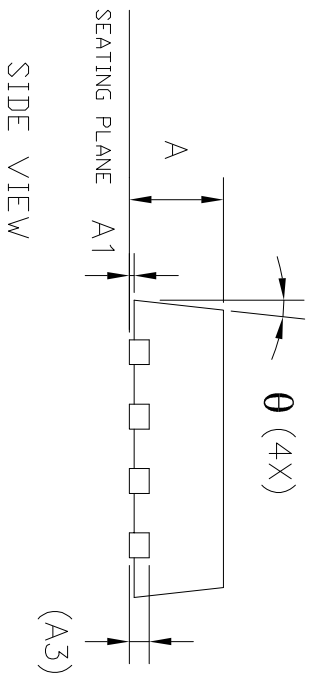
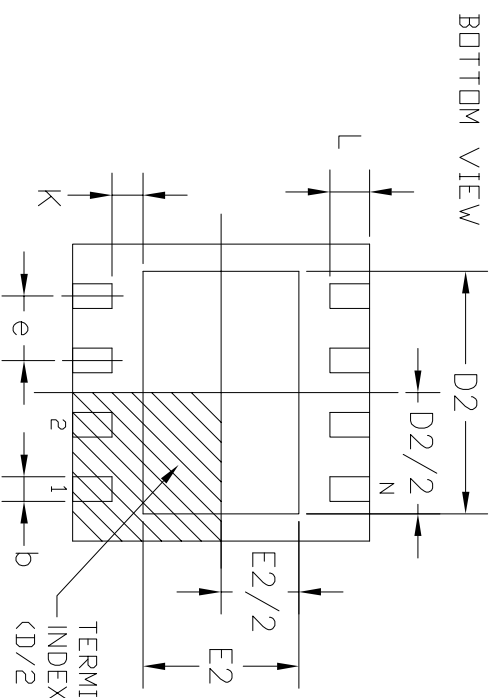
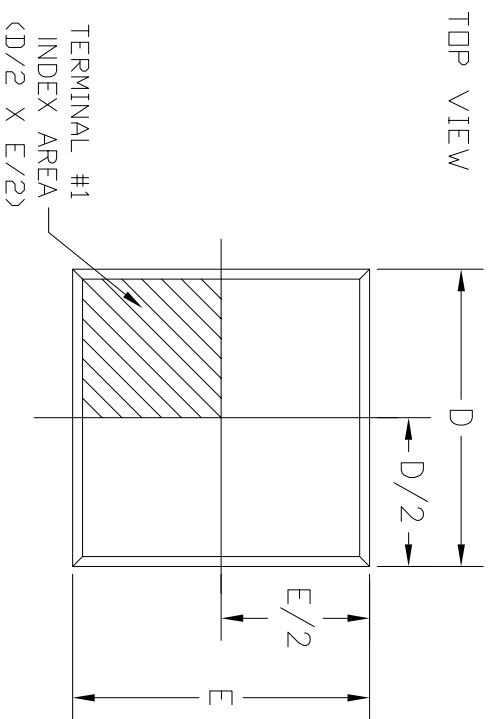
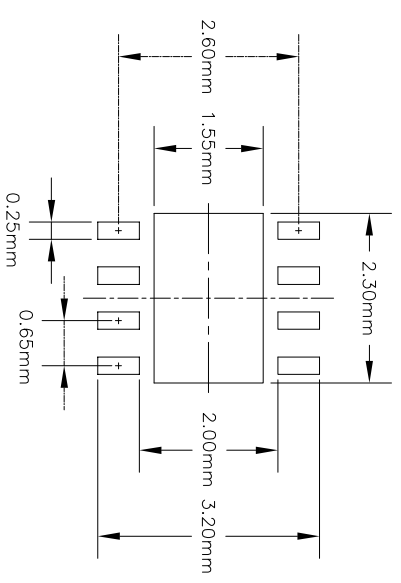


REVISION HISTORY			
REV.	DISCRIPTION	DATE	APP'D
A	DRAWING ORIGINATION	04/07/10	PC
B	ADD RECOMMENDED PCB LAND PATTERN	04/29/10	PC



Recommended PCB Land Pattern



8LD 3x3 TDFN JEDEC MO-229 Variation WECC							
SYMBOLS	DIMENSIONS IN MM (Control Unit)			DIMENSIONS IN INCH (Reference Unit)			
	MIN	NOM	MAX	MIN	NOM	MAX	
A	0.70	0.75	0.80	0.028	0.030	0.031	
A1	0.00	0.02	0.05	0.000	0.001	0.002	
A3	0.20 REF			0.008 REF			
b	0.20	0.25	0.30	0.008	0.010	0.012	
D	3.00 BSC			0.118 BSC			
D2	2.25	2.30	2.35	0.089	0.091	0.093	
E	3.00 BSC			0.118 BSC			
E2	1.50	1.55	1.60	0.059	0.061	0.063	
e	0.65 BSC			0.026 BSC			
L	0.35	0.40	0.45	0.014	0.016	0.018	
K	0.20	—	—	0.008	—	—	
theta	0°	—	14°	0°	—	14°	
N	8			8			
ND	4			4			



EXAR CORPORATION

8 PIN 3x3 TDFN PACKAGE OUTLINE

Packaging Approval:		Drawing No:	
By: PC	Date: 04/29/10	Revision: B	Sheet: 1 OF 1